
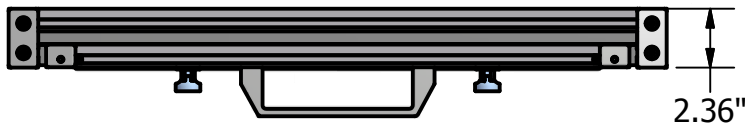
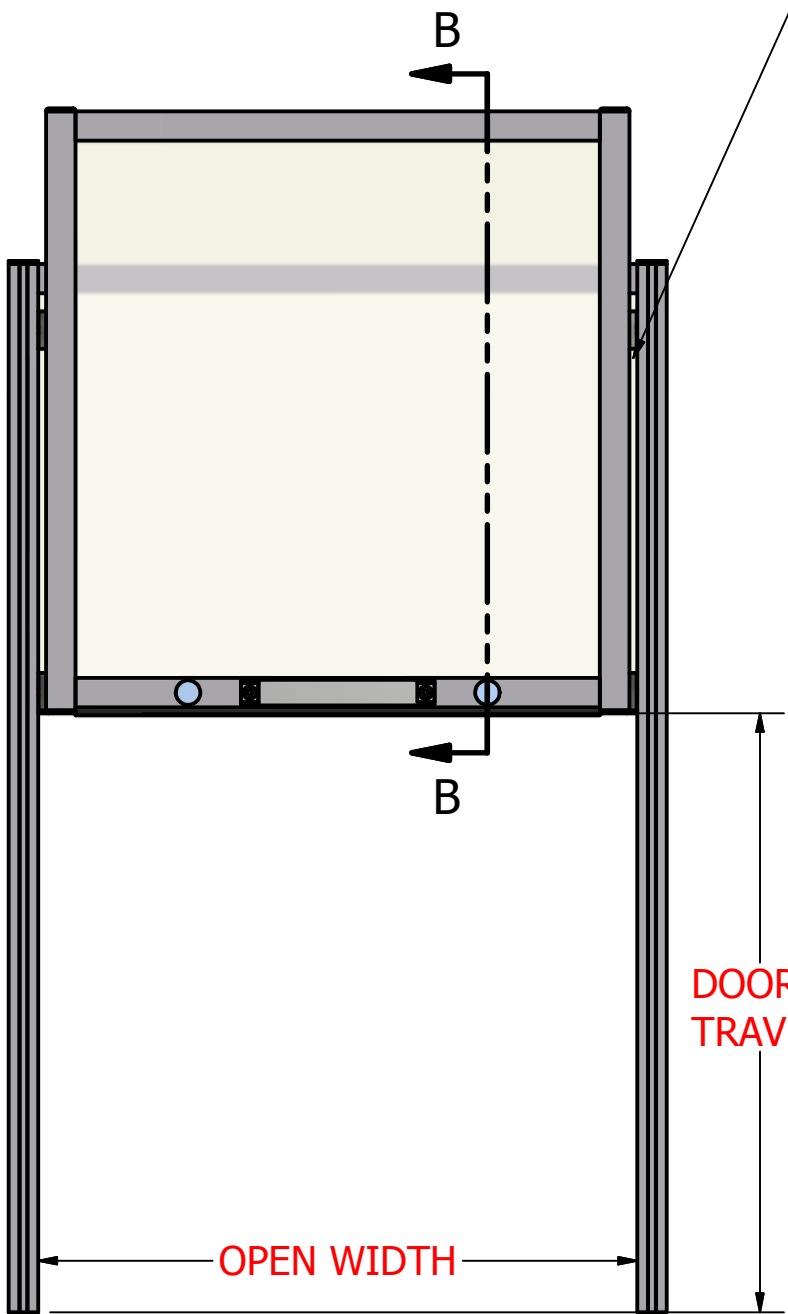


PROJECT SP032913			WWW.MINITECFRAMING.COM	
DRAWN BY ANDY MOLES			VICTOR, NY	
DATE 3/29/2013		PH # 585 924-4690		DIRECT 585 398-1240 EXT 104
DRAWN FOR MINITEC'S CUSTOMER		TITLE LIGHT WEIGHT VERTICAL SLIDING DOOR		DWG NO SP032813
TOLERANCES UNLESS OTHERWISE NOTED X +/- .12" XX +/- .015" XXX +/- .010"		MATERIAL		REV
		FINISH		SHEET 1 OF 4



2.36"

GAP BETWEEN DOOR & FRAME CAN BE REMOVED UPON REQUEST

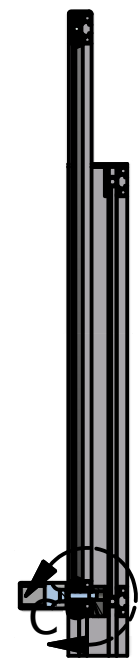


B

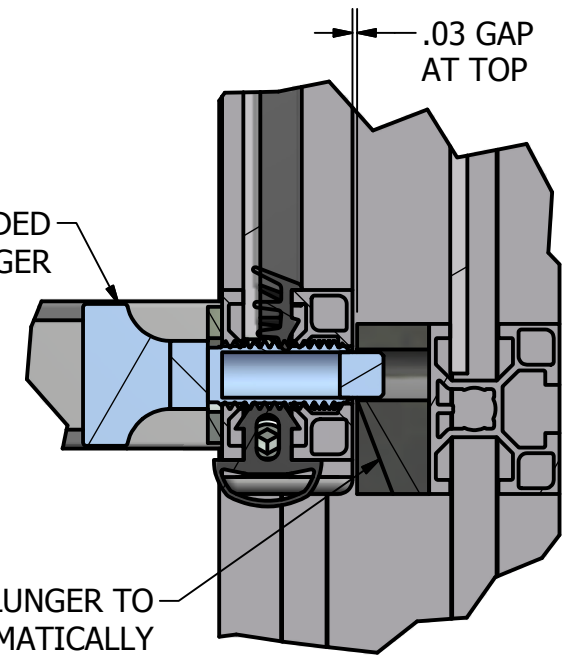
B

DOOR TRAVEL

OPEN WIDTH



SECTION B-B
SCALE .13



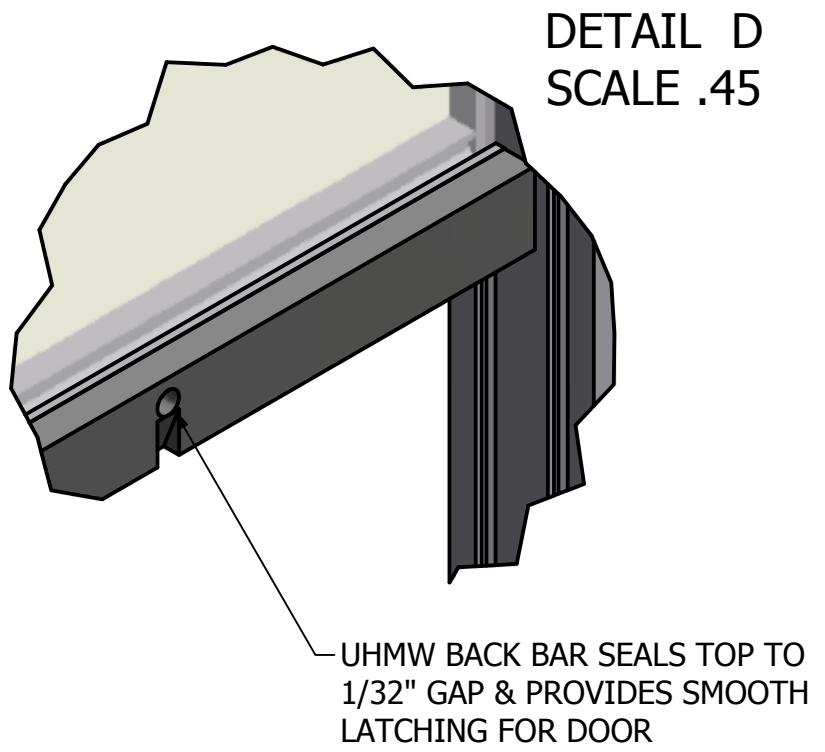
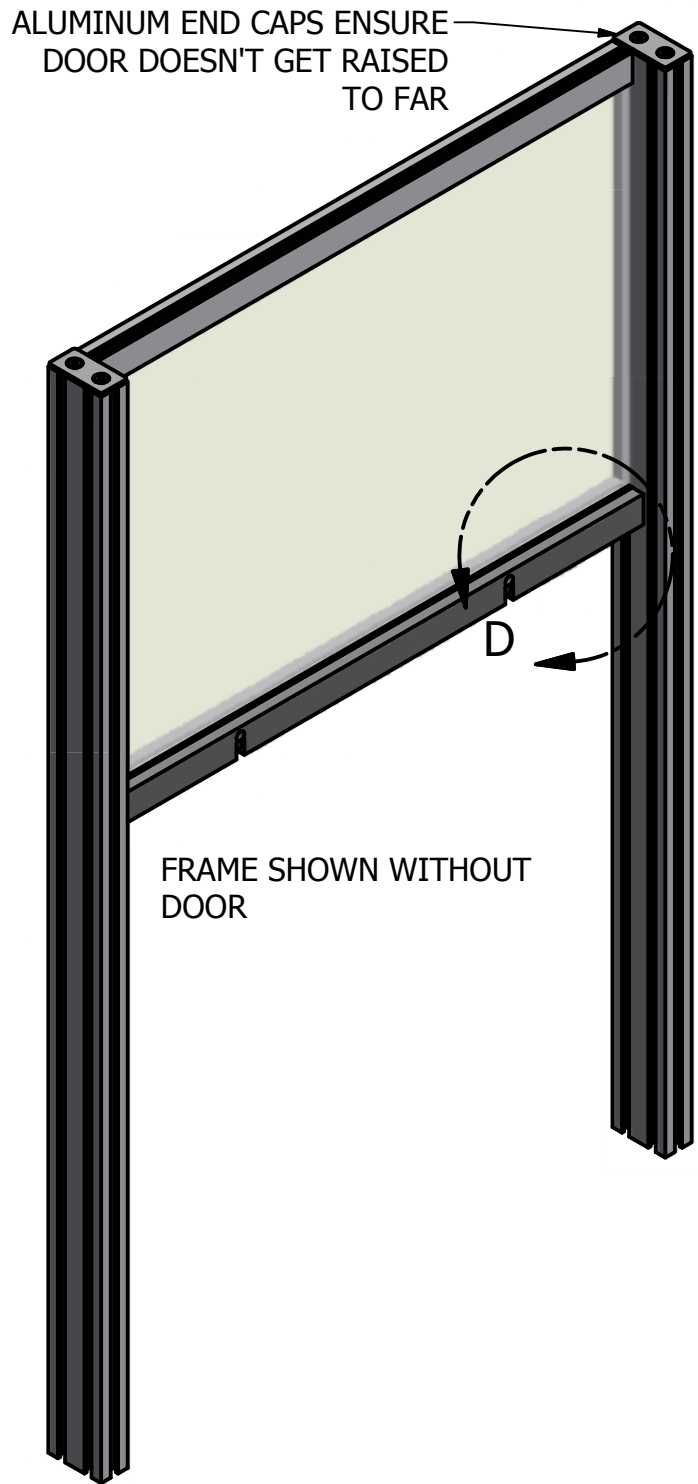
.03 GAP AT TOP


SPRING LOADED PLUNGER

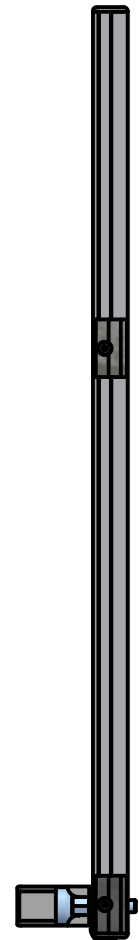
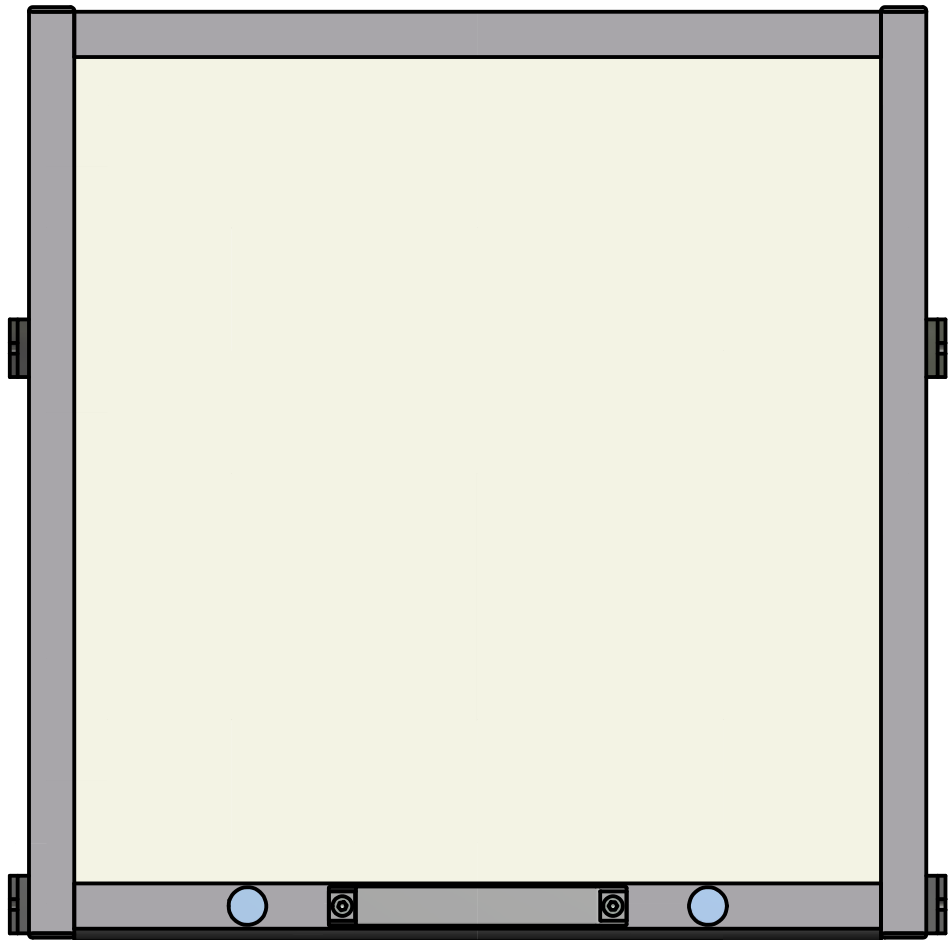
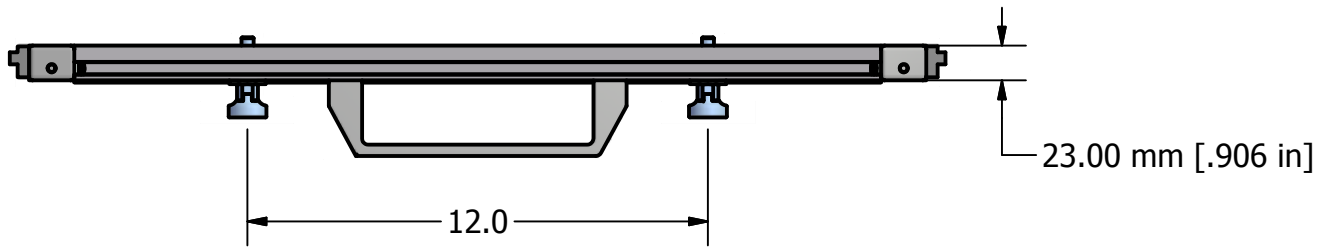
RAMP ALLOWS PLUNGER TO LATCH AUTOMATICALLY WHEN DOOR IS RAISED


DETAIL C
SCALE .75

PROJECT SP032913			WWW.MINITECFRAMING.COM VICTOR, NY PH # 585 924-4690 DIRECT 585 398-1240 EXT 104 FX # 585 924-4821 amoles@minitecframing.com	
DRAWN BY ANDY MOLES			REV	
DATE 3/29/2013			DWG NO SP032813	
DRAWN FOR MINITEC'S CUSTOMER		TITLE LIGHT WEIGHT VERTICAL SLIDING DOOR		REV
TOLERANCES UNLESS OTHERWISE NOTED X +/- .125" .XX +/- .015" .XXX +/- .010"		MATERIAL		FINISH
				SHEET 2 OF 4



PROJECT SP032913			WWW.MINITECFRAMING.COM	
DRAWN BY ANDY MOLES			VICTOR, NY	
DATE 3/29/2013			PH # 585 924-4690	
DRAWN FOR MINITEC'S CUSTOMER		TITLE LIGHT WEIGHT VERTICAL SLIDING DOOR	DWG NO SP032813	REV
TOLERANCES UNLESS OTHERWISE NOTED X +/- .125" .XX +/- .015" .XXX +/- .010"		MATERIAL		SHEET 3 OF 4
		FINISH		



PROJECT SP032913		 <small>THE ART OF SIMPLICITY</small>	<small>WWW.MINITECFRAMING.COM</small> <small>VICTOR, NY</small> <small>PH # 585 924-4690</small> <small>DIRECT 585 398-1240 EXT 104</small> <small>FX # 585 924-4821</small> <small>amoles@minitecframing.com</small>	
DRAWN BY ANDY MOLES				
DATE 3/29/2013				
DRAWN FOR MINITEC'S CUSTOMER		TITLE LIGHT WEIGHT VERTICAL SLIDING DOOR		DWG NO SP032813 DOOR ASSY
<small>TOLERANCES UNLESS OTHERWISE NOTED</small> <small>X +/- .1/32"</small> <small>.XX +/- .015"</small> <small>.XXX +/- .010"</small>		MATERIAL		REV
		FINISH		SHEET 4 OF 4