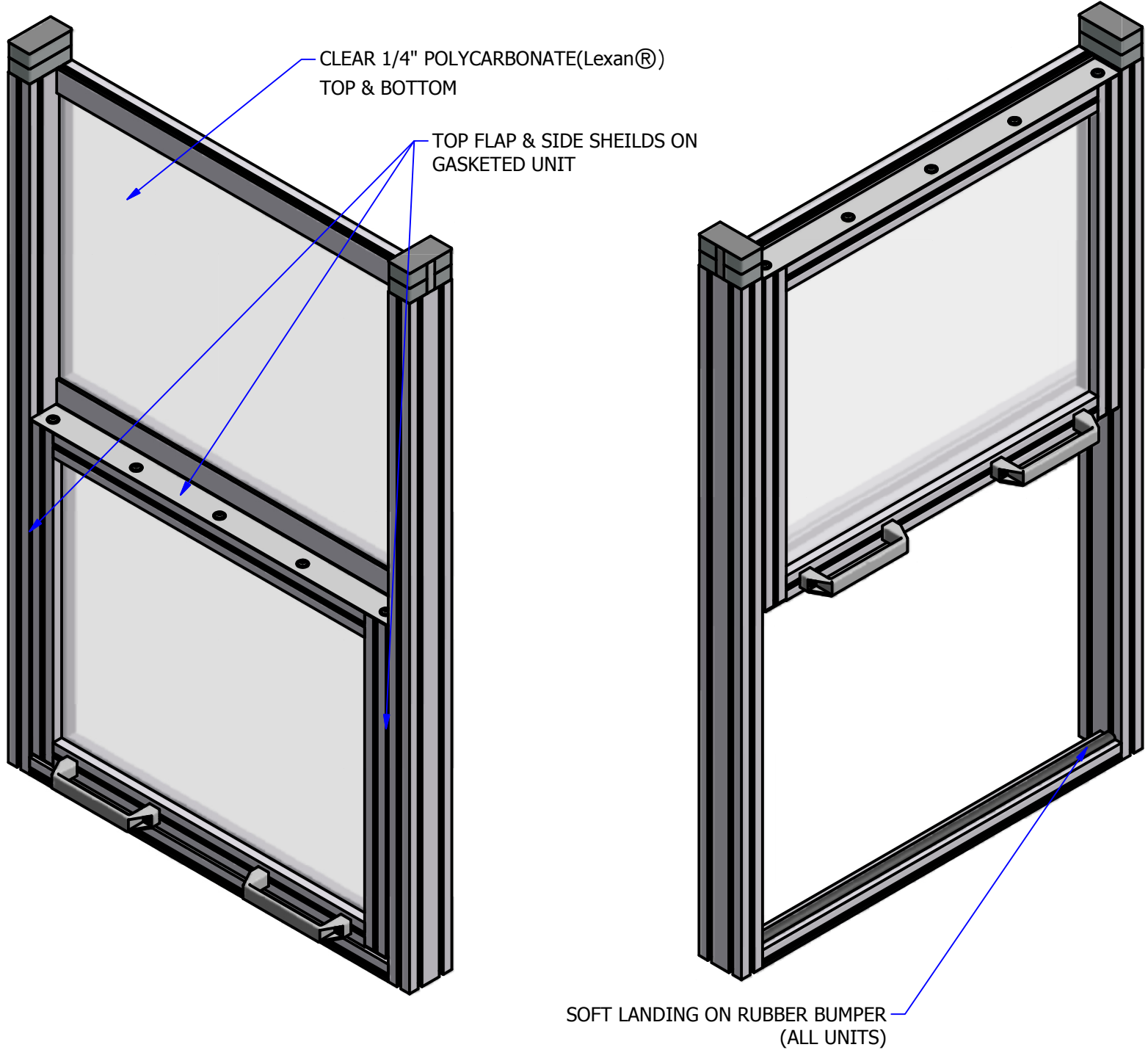


COUNTER-WEIGHTED VERTICAL SLIDING DOOR



SPECIFY DRAWING SP060112-1 ALONG WITH
OPEN WIDTH & OPEN HEIGHT
TO GET A QUOTE

