
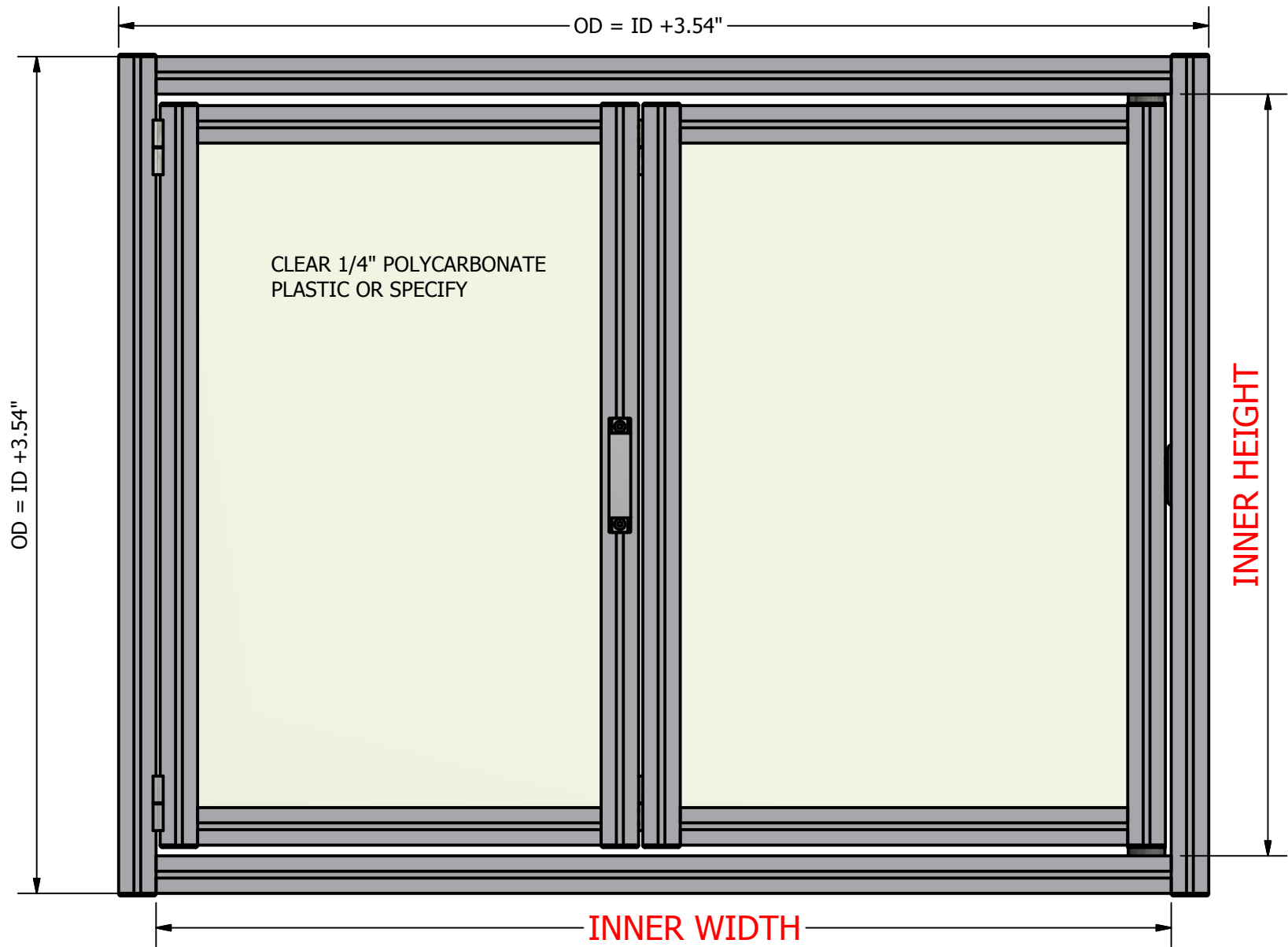



- MINITEC'S BI-FOLD DOOR PROVIDES MORE EQUIPMENT ACCESS WITHOUT A LARGE DOOR BLOCKING AISLEWAYS
- GREAT IN TIGHT PLACES

| | | | | |
|--|--------------------|---|--|--------------|
| PROJECT SP042914 BI-FOLD DOOR | |  | WWW.MINITECFRAMING.COM | |
| DRAWN BY ANDY MOLES | | | VICTOR, NY | |
| DATE 5/1/2014 | | | PH # 585 924-4690 DIRECT 585 398-1240 EXT 104 FX # 585 924-4821 amoles@minitecframing.com | |
| DRAWN FOR MINITEC'S CUSTOMER | TITLE ADD TITLE | DWG NO SP042914 | REV | |
| TOLERANCES UNLESS OTHERWISE NOTED .X +/- .1/32" .XX +/- .015" .XXX +/- .010" | | MATERIAL | | SHEET 1 OF 3 |
| | | FINISH | | |

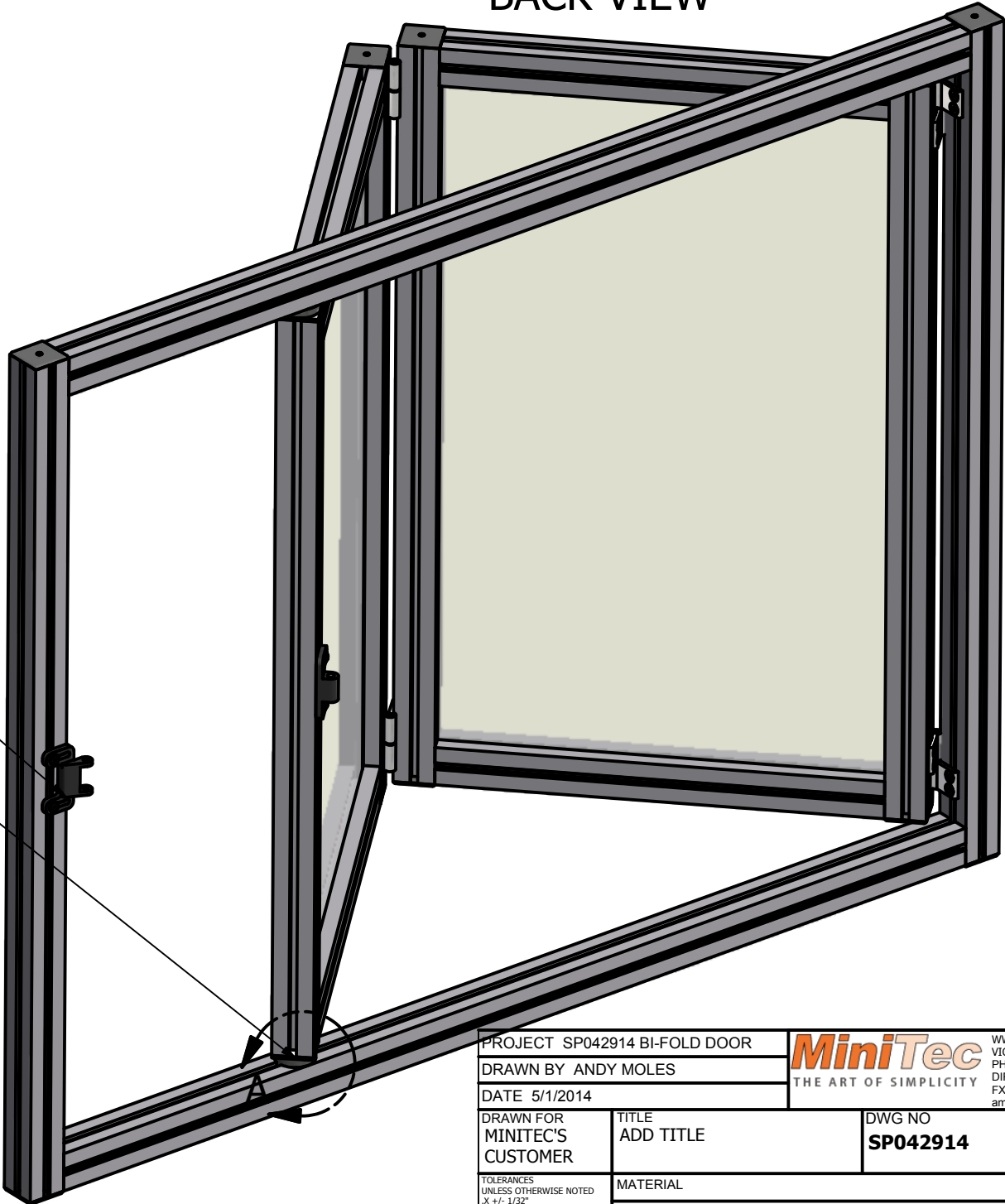


E-MAIL THE FOLLOWING TO SALES@MINITECFRAMING.COM
FOR A QUOTE TODAY

SP042914 BI-FOLD DOOR
INNER WIDTH =
INNER HEIGHT =

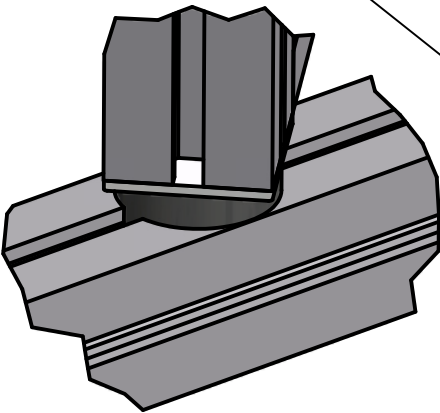
| | | | | |
|---|--|---|--|-----------------------|
| PROJECT SP042914 BI-FOLD DOOR | |  <small>THE ART OF SIMPLICITY</small> | <small>WWW.MINITECFRAMING.COM</small> <small>VICTOR, NY</small> <small>PH # 585 924-4690</small> <small>DIRECT 585 398-1240 EXT 104</small> <small>FX # 585 924-4821</small> <small>amoles@minitecframing.com</small> | |
| DRAWN BY ANDY MOLES | | | <small>REV</small> | |
| DATE 5/1/2014 | | | <small>DWG NO</small> SP042914 | |
| DRAWN FOR MINITEC'S CUSTOMER | | <small>TITLE</small> ADD TITLE | | <small>REV</small> |
| <small>TOLERANCES UNLESS OTHERWISE NOTED</small> <small>X +/- .125"</small> <small>.XX +/- .015"</small> <small>.XXX +/- .010"</small> | | <small>MATERIAL</small> | | <small>FINISH</small> |
| | | | | SHEET 2 OF 3 |


BACK VIEW



LATCH

LOW FRICTION GUIDE
TOP & BOTTOM



| | | | | |
|---|--|---|--|-----------------|
| PROJECT SP042914 BI-FOLD DOOR | |  <small>THE ART OF SIMPLICITY</small> | <small>WWW.MINITECFRAMING.COM</small> <small>VICTOR, NY</small> <small>PH # 585 924-4690</small> <small>DIRECT 585 398-1240 EXT 104</small> <small>FX # 585 924-4821</small> <small>amoles@minitecframing.com</small> | |
| DRAWN BY ANDY MOLES | | | REV | |
| DATE 5/1/2014 | | DWG NO | | |
| DRAWN FOR MINITEC'S CUSTOMER | | ADD TITLE | | SP042914 |
| TOLERANCES UNLESS OTHERWISE NOTED X +/- .1/32" .XX +/- .015" .XXX +/- .010" | | MATERIAL | | |
| | | FINISH | | SHEET 3 OF 3 |