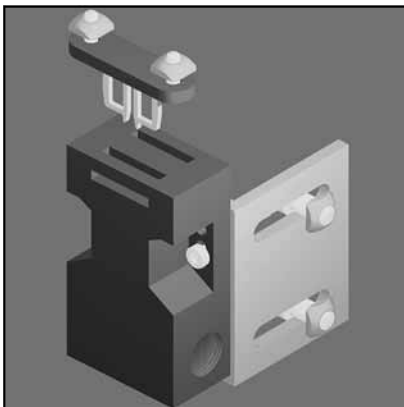
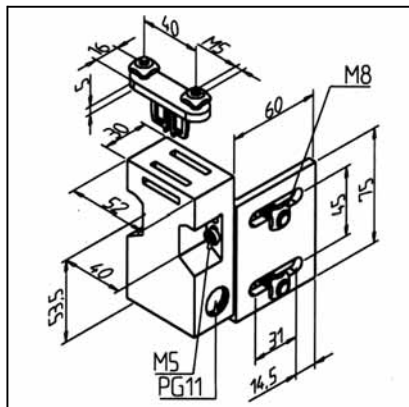




ELECTRICAL  
INSTALLATION

## SECURITY SWITCH AZ 16 ZVR

Part. N° 21.1110/0



### TECHN. DATA / ITEMS SUPPLIED

- Security switch, complete with switching pad, type B1, standard
- Fastening angle, aluminium, natural anodized
- Fixing kit
- Weight 0,343 kg

### APPLICATIONS

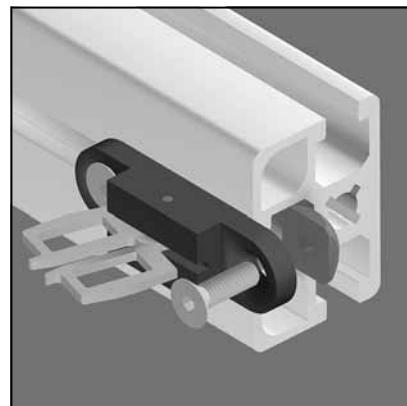
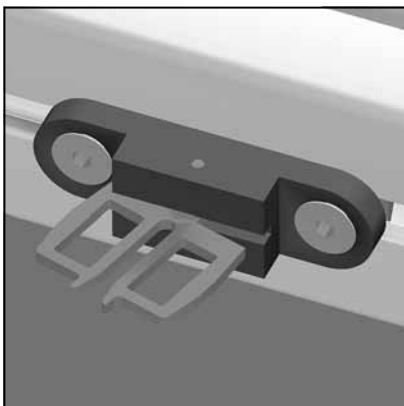
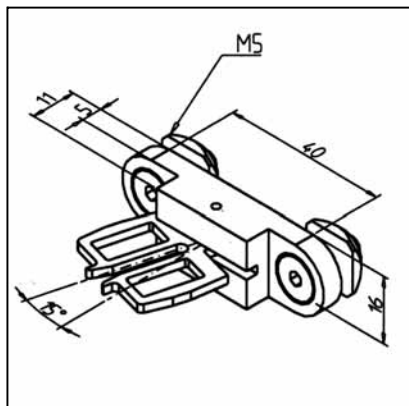
- Electrical securing of swing-doors, sliding-doors, windows
- Suitable for all profiles

### ASSEMBLY

- Use fixing kit from apply schedule
- Easy adjustment in x-, y- and z-axis by means of long holes in the angle-bracket
- For small radii use actuating bow B2 Part N° 21.1110/2 or B3 Part N° 21.1110/3

## ACTUATING BOW FOR SECURITY SWITCH B2

Part. N° 21.1110/2



### TECHN. DATA / ITEMS SUPPLIED

- Switching pad, type b2, for particularly small actuating radii over the broad side of the bow
- Fixing kit
- Weight 0,032 kg

### APPLICATIONS

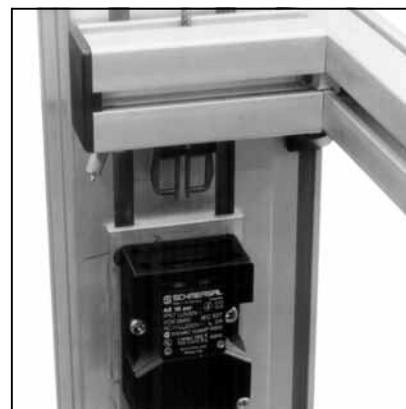
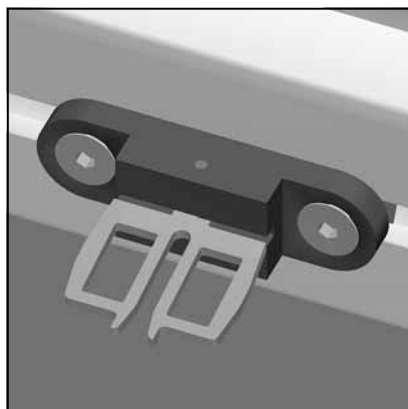
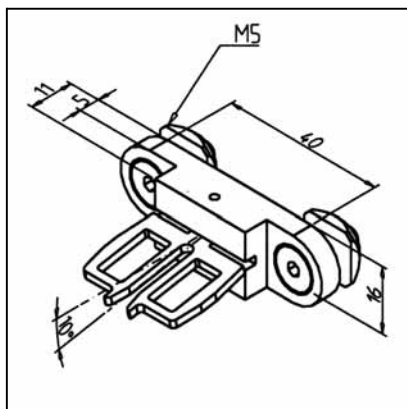
- Actuating bow for small actuating radii in connection with security switch Part N° 21.1110/0 replaces standard bow

### ASSEMBLY

- Fix with fixing kit on profile groove
- Directly in panel element with countersunk screw M5 according to the material thickness

## ACTUATING BOW FOR SECURITY SWITCH B3

Part. N° 21.1110/3



### TECHN. DATA / ITEMS SUPPLIED

- Switching pad, type B3, for particularly small actuating radii over the small side of the bow
- Fixing kit
- Weight 0,032 kg

### APPLICATIONS

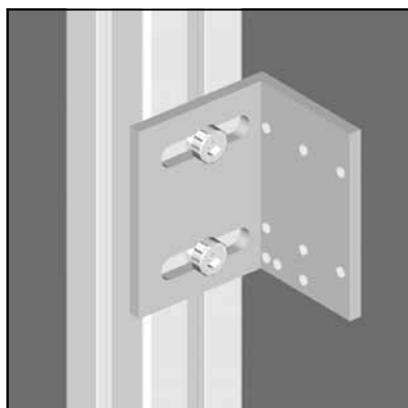
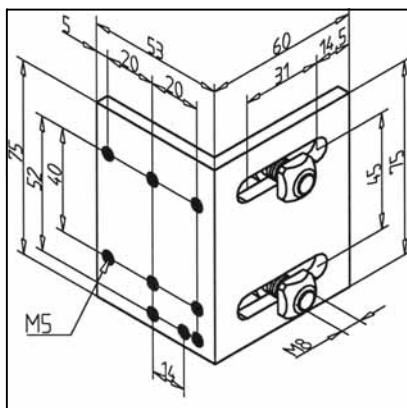
- Actuating bow for small actuating radii in connection with security switch  
**Part N° 21.1110/0** replaces standard bow

### ASSEMBLY

- Fix with fixing kit on profile groove
- Directly in panel element with countersunk screw M5 according to the material thickness

## ANGLE-BRACKET FOR SECURITY SWITCH

Part. N° 21.1359/0



### TECHN. DATA / ITEMS SUPPLIED

- Aluminium, natural, anodized
- Fixing kit
- Weight 0,128 kg

### APPLICATIONS

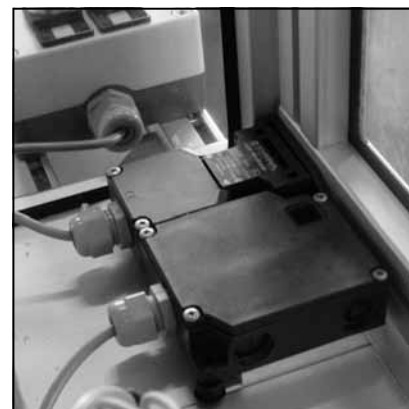
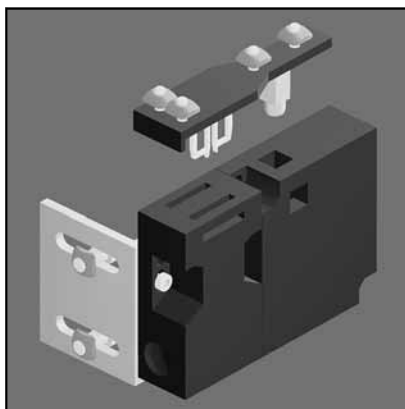
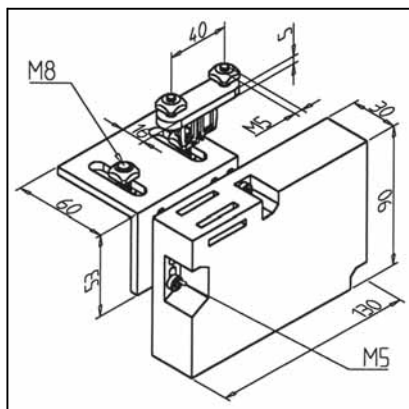
- For security switches DIN EN 50041
- Fitting to all standard types, facilitated adjustment of the switch in x-, y- and z-axis

### ASSEMBLY

- Fix with fixing kit on profile groove

## SECURITY SWITCH WITH LOCK

Part. N° 21.1766/0



### TECHN. DATA / ITEMS SUPPLIED

- Switch, type AZM 161SK-24RK-024
- Housing thermoplast, black, self-extinguishing
- Protective system IP65, nominal operating current 10 A (220 V), driving voltage 24 V AC/DC, power consumption 10 W
- Fixing kit
- Optionally with actuating bow 110 V AC or 230 V AC
- Weight 0,475 kg

### APPLICATIONS

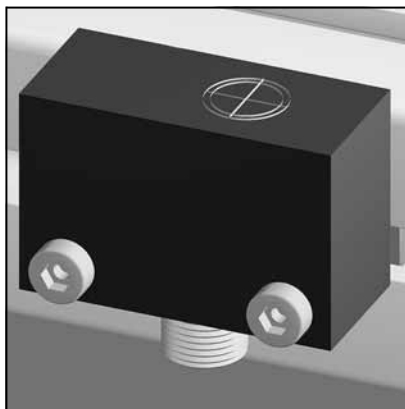
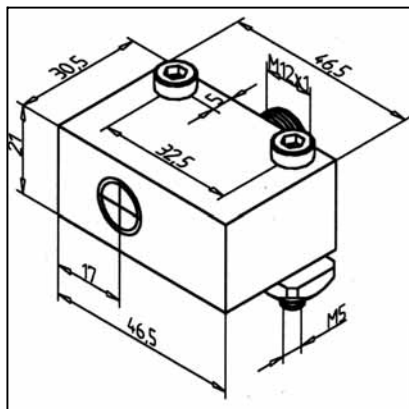
- Protective gears with high requirements to security

### ASSEMBLY

- Screw onto profile groove with fixing kit from supply schedule

## PROXIMITY SWITCH PNP (NORMALLY OPEN CONTACT)

Part. N° 33.0403/0



### TECHN. DATA / ITEMS SUPPLIED

- PNP-normally open contact
- Housing polyamide with GF
- Protective system Ip 67
- Ambient temperature -25 to +75 °C
- Nom. Working distance 0 - 4,8 mm
- Nom. Switch distance 6 mm
- Current max. 200 mA

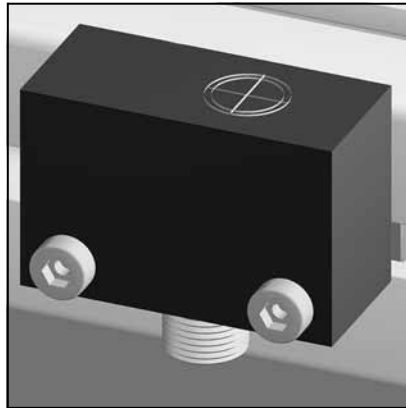
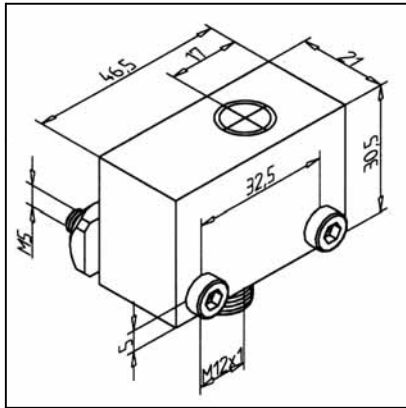
### APPLICATIONS

- Proximity switch of position or reference for MiniTec LR-system
- Actuating distance suitable for MiniTec system

### ASSEMBLY

- Use fixing kit from supply schedule
- Suitable cable Part N° 33.0401/0  
L = 5 m

## PROXIMITY SWITCH PNP (NORMALLY CLOSED CONTACT) Part. N° 33.0404/0



### TECHN. DATA / ITEMS SUPPLIED

- PNP-normally closed contact
- Housing polyamide with GF
- Protective system Ip 67
- Ambient temperature -25 to +75 °C
- Nom. Working distance 0 - 4,8 mm
- Nom. Switch distance 6 mm
- Current max. 200 mA

### APPLICATIONS

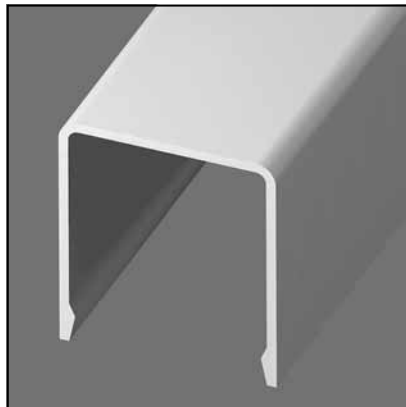
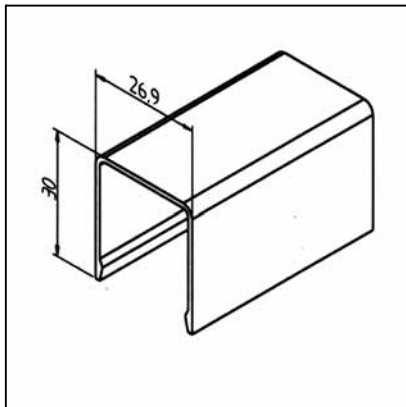
- Proximity switch of position or reference for MiniTec LR-system
- Actuating distance suitable for MiniTec system

### ASSEMBLY

- Use fixing kit from supply schedule
- Suitable cable Part N° 33.0401/0 L = 5 m

## CONDUIT AL

Part. N° 20.1051/0



### TECHN. DATA / ITEMS SUPPLIED

- Aluminium, natural, anodized
- Weight 0,280 kg/m
- Length 6 m

### APPLICATIONS

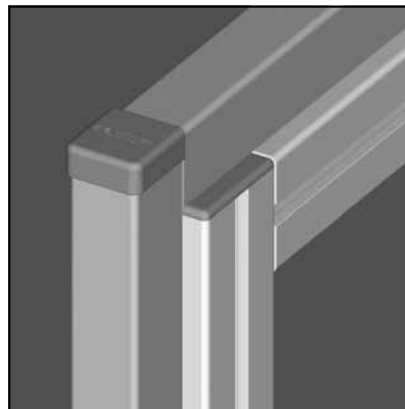
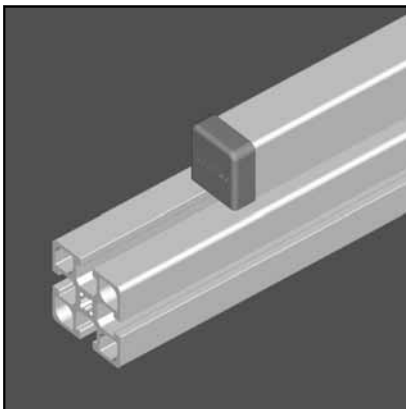
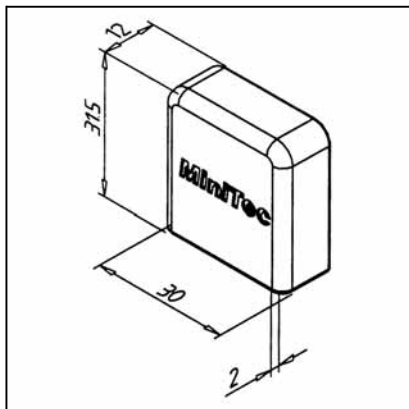
- Cover for cables and pneumatic hoses on all MiniTec aluminium profiles

### ASSEMBLY

- Clip on cable clips Part N°22.1204/0

## CABLE DUCT END CAP AL

Part. N° 22.1119/1



### TECHN. DATA / ITEMS SUPPLIED

- ABS, grey RAL 7012
- Weight 0,004 kg

### APPLICATIONS

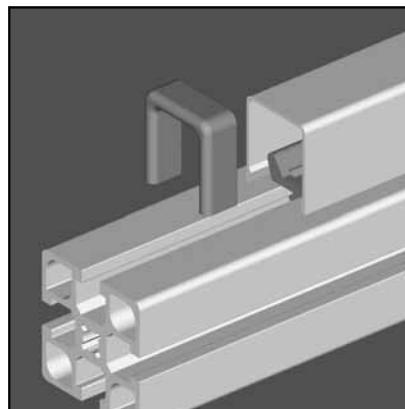
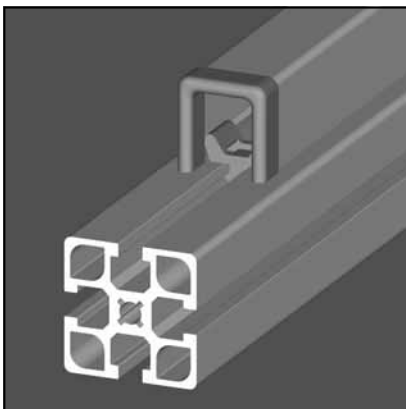
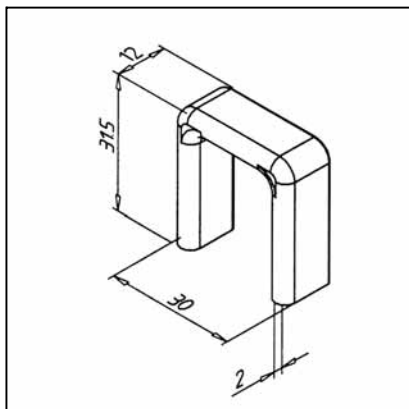
- Connection of cable duct AL
- Fabrication of external angle with cable duct AL

### ASSEMBLY

- Simply push onto the end of the duct

## PROTECTIVE CAP FOR CABLE DUCT AL

Part. N° 22.1120/1



### TECHN. DATA / ITEMS SUPPLIED

- ABS, grey RAL 7012
- Weight 0,003 kg

### APPLICATIONS

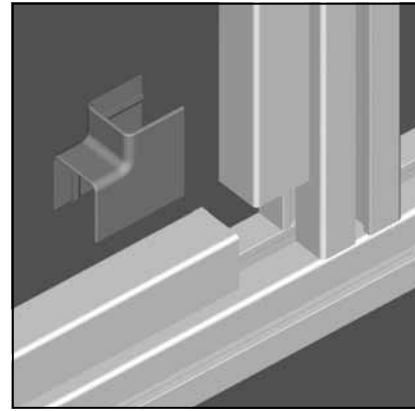
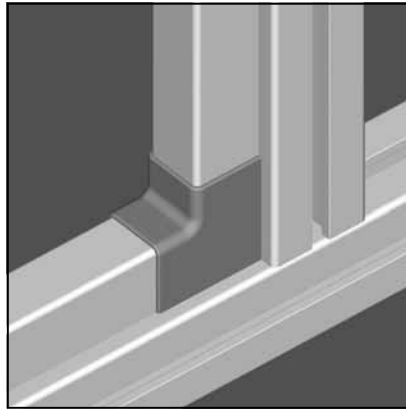
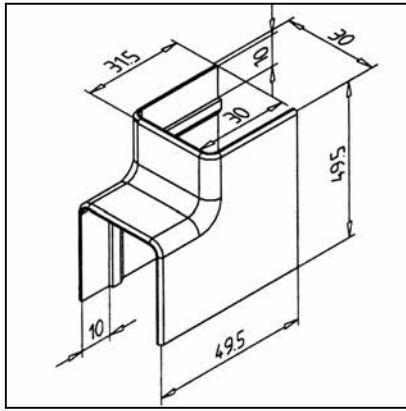
- Edge protection for cable duct AL

### ASSEMBLY

- Simply push onto the end of the duct

## INTERNAL ANGLE BRACKET OF CABLE DUCT AL

Part. N° 22.1121/1



### TECHN. DATA / ITEMS SUPPLIED

- ABS, grey RAL 7012
- Weight 0,01 kg

### APPLICATIONS

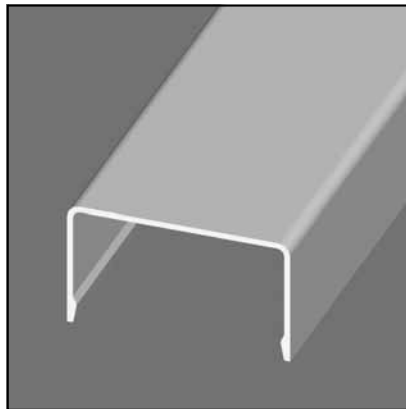
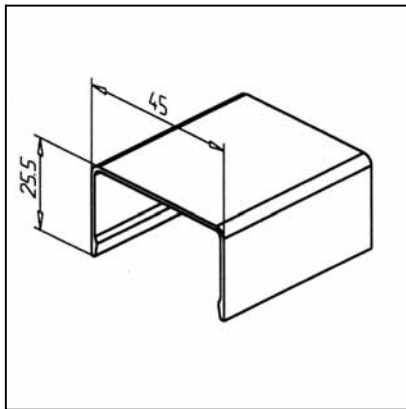
- Connection of cable duct AL to internal angle bracket

### ASSEMBLY

- 1) Click the first side of the cable duct to collar clamps. Distance to corner: 39.5 mm
- 2) Insert angle bracket
- 3) Click on the second side of the cable duct and slide along as far as the stop

## CONDUIT 45 AL

Part. N° 20.1071/0



### TECHN. DATA / ITEMS SUPPLIED

- Aluminium, natural, anodized
- Weight 0,301 kg/m
- Length 6 m

### APPLICATIONS

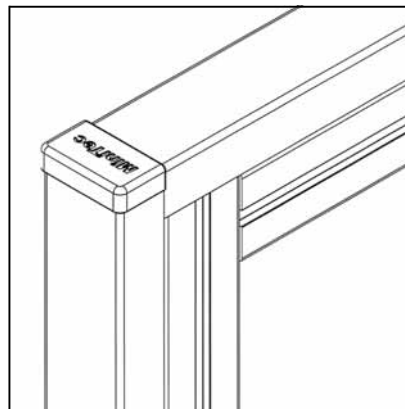
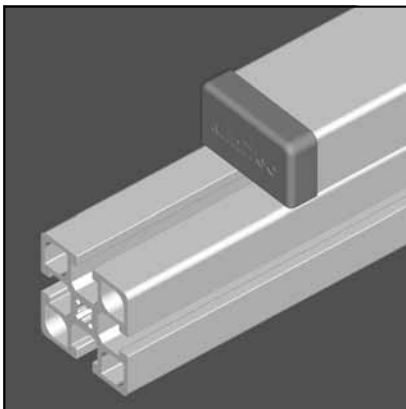
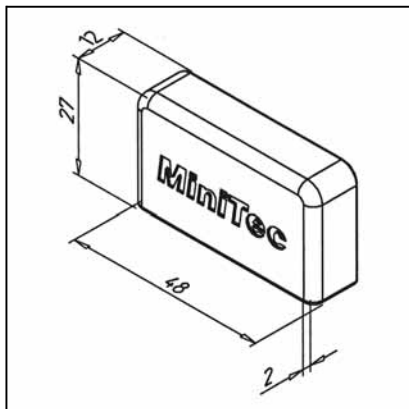
- Cover for cables and pneumatic hoses

### ASSEMBLY

- Clip on cable clips Part N°22.1210/0

## END COVER FOR CONDUIT 45

Part. N° 22.1116/1



### TECHN. DATA/ITEMS SUPPLIED

- ABS, grey RAL 7012
- Weight 0,006 kg

### APPLICATIONS

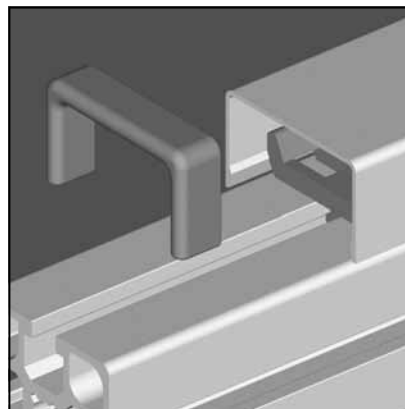
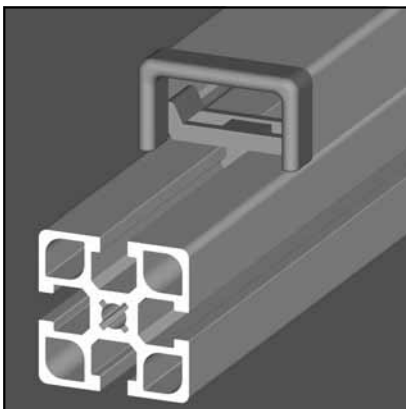
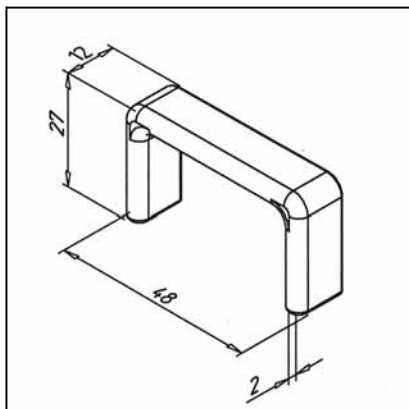
- End cover for conduit 45
- Construction of corners on outside face

### ASSEMBLY

- Clip onto end of conduit 45

## EDGE PROTECTION FOR CONDUIT 45

Part. N° 22.1117/1



### TECHN. DATA/ITEMS SUPPLIED

- ABS, grey RAL 7012
- Weight 0,005 kg

### APPLICATIONS

- Edge protection for conduit 45

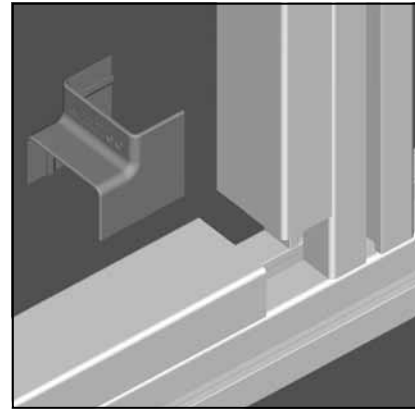
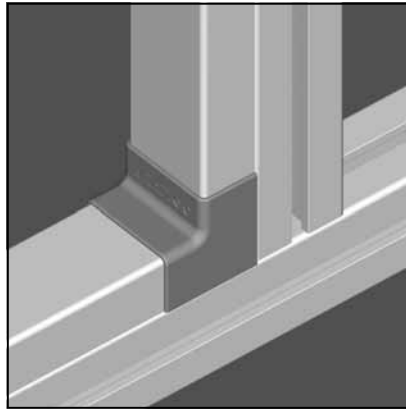
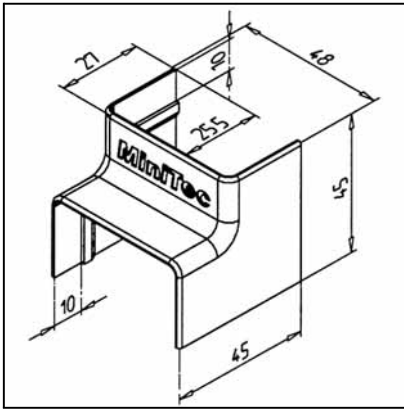
### ASSEMBLY

- Clip onto end of conduit 45



## INTERNAL ANGLE FOR CONDUIT 45

Part. N° 22.1118/1



### TECHN. DATA/ITEMS SUPPLIED

- ABS, grey RAL 7012	
- Weight	0,010 kg

### APPLICATIONS

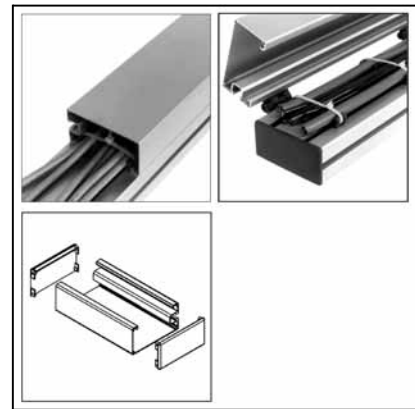
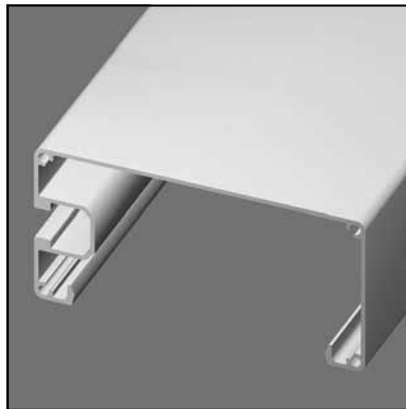
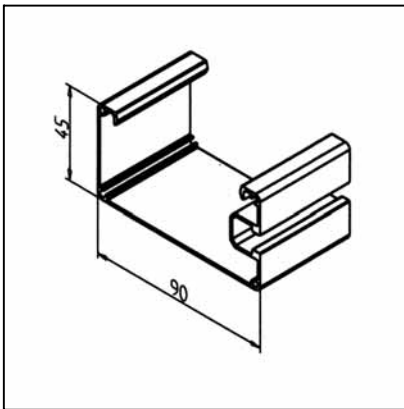
- Connection of conduit 45 to internal angle

### ASSEMBLY

- 1) Clip conduit 1 onto cable clips. Distance for the edge 36 mm
- 2) Insert the angle
- 3) Clip on conduit 2 and push to tight fit

## CONDUIT 90 AL

Part. N° 20.1056/0



### TECHN. DATA / ITEMS SUPPLIED

- Aluminium, natural, anodized	
- Weight	0,970 kg/m
- Length	6 m

### APPLICATIONS

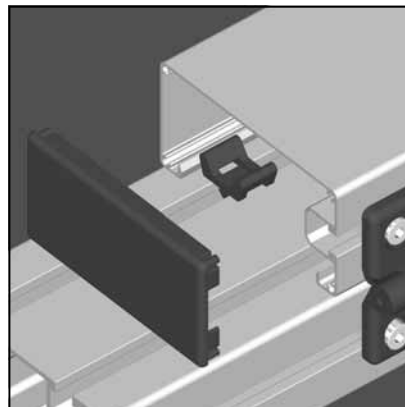
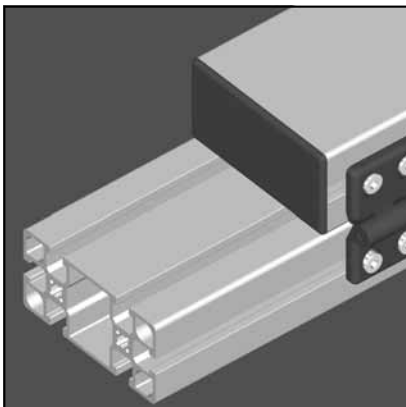
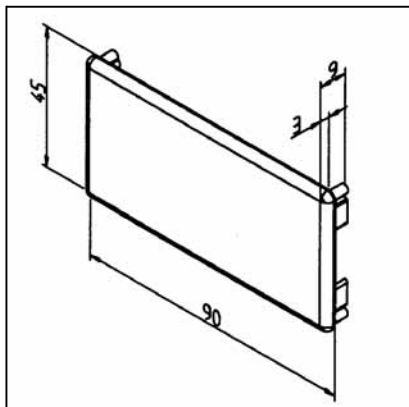
- Cover for cables and pneumatic hoses
- Suitable for MiniTec profiles, grid dimension: 90
- Can also be swung open, when used with hinges
- End ledges with integrated energy supply

### ASSEMBLY

- Clip on cable clips **Part N°22.1204/0**
- Endcaps **Part N° 22.1045/0**

## END COVER FOR CONDUIT 90 AL

Part. N° 22.1045/0



### TECHN. DATA/ITEMS SUPPLIED

- ABS, grey RAL 7012
- Weight 0,011 kg

### APPLICATIONS

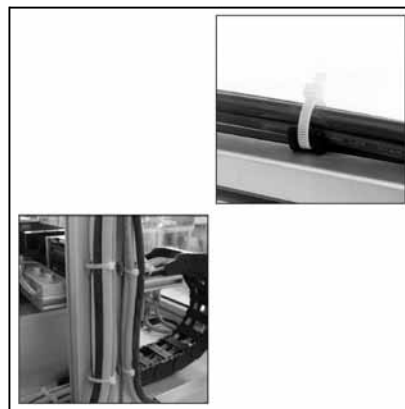
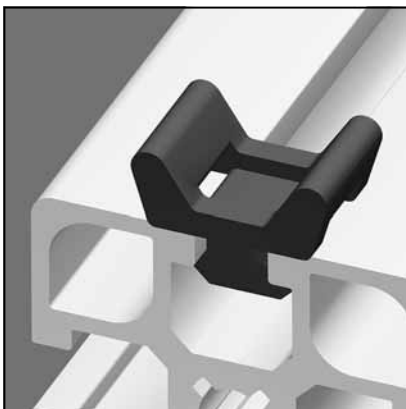
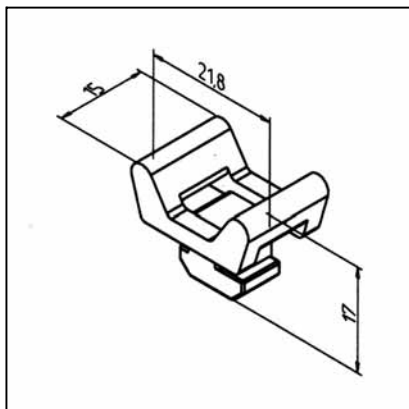
- End cover for conduit 90
- Constructions of corners on outside face

### ASSEMBLY

- Clip onto end of conduit 90

## CABLE CLIP

Part. N° 22.1204/0



### TECHN. DATA / ITEMS SUPPLIED

- PA 6, grey
- Weight 0,002 kg

### APPLICATIONS

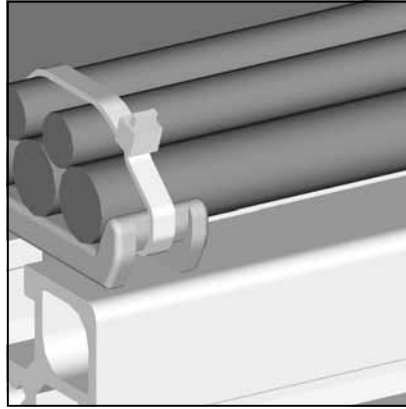
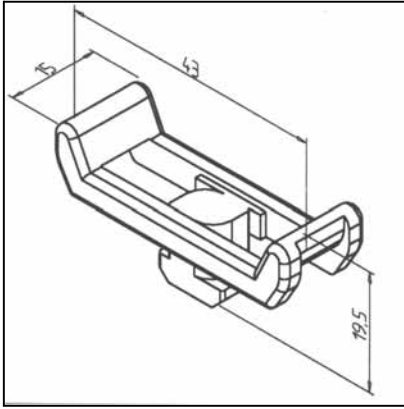
- Simple and rational fastening of cables and pneumatic hoses
- Suitable for conduit 45 Al and conduit 90 AL

### ASSEMBLY

- Insert in profile groove and secure it with a 90° rotation
- Insert cable tie band through the cable clip and around the cable. Bind together, cut off any excessive length

## CABLE CLIP 45

Part. N° 22.1210/0



### TECHN. DATA / ITEMS SUPPLIED

- PA 6, grey
- Weight 0,004 kg

### APPLICATIONS

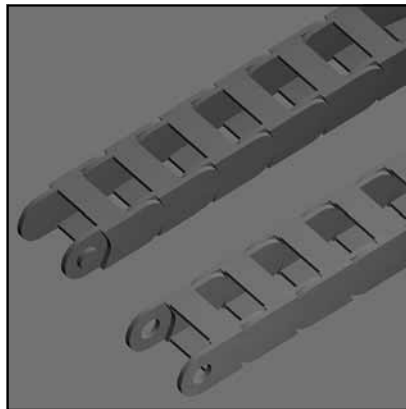
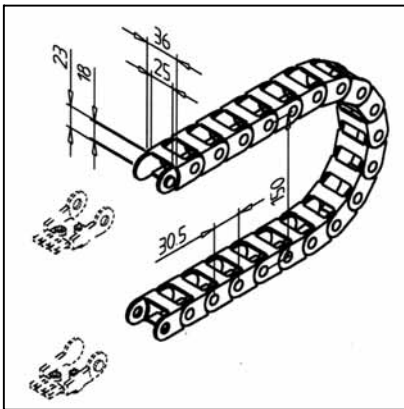
- Simple and rational fastening of cables and pneumatic hoses
- Suitable for conduit 45 Al

### ASSEMBLY

- Insert in profile groove and secure it with a 90° rotation
- Insert cable tie band through the cable clip and around the cable. Bind together, cut off any excessive length

## ENERGIE CHAIN R

Part. N° 33.0410/0



### TECHN. DATA / ITEMS SUPPLIED

- Plastic, black
- Without fixing kit
- Weight 0,341 kg/m

### APPLICATIONS

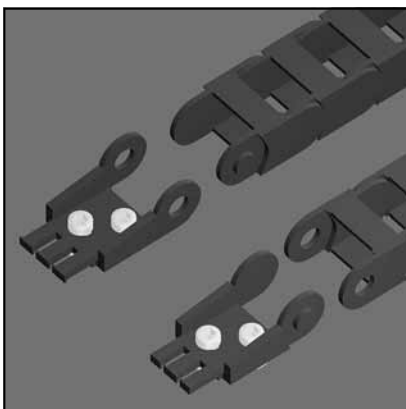
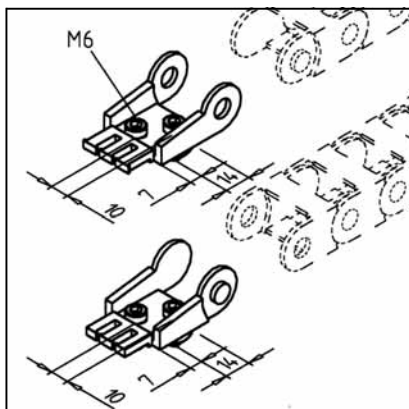
- Energy chain to bind cables and hoses on slides and movable elements

### ASSEMBLY

- Fastening of the energy chain by means of mounting brackets **Part N° 33.0411/0**

## MOUNTING BRACKETS FOR ENERGY CHAIN R

Part. N° 33.0411/0



### TECHN. DATA / ITEMS SUPPLIED

- 1 bracket each left or right
- Plastic, schwarz
- Fixing kit
- Weight 0,058 kg

### APPLICATIONS

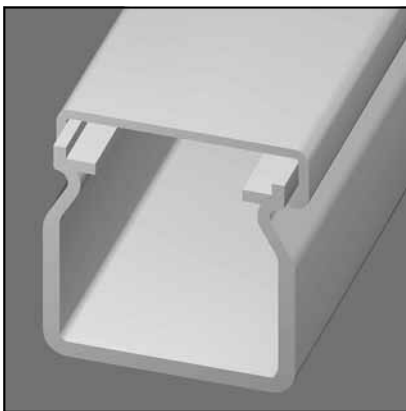
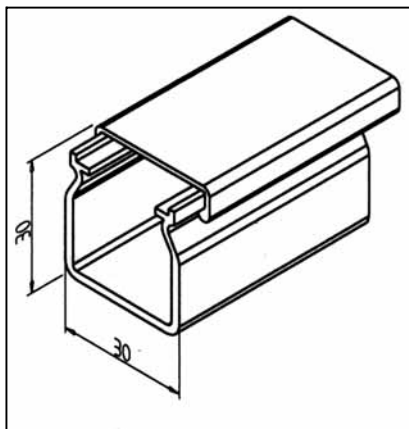
- For fastening energy chain R  
**Part N° 33.0410/0** on profile constructions

### ASSEMBLY

- Use fixing kit from apply schedule
- Use cable tie band to fix cables and hoses

## CONDUIT 32

Part. N° 22.1082/0



### TECHN. DATA / ITEMS SUPPLIED

- Hard PVC, grey
- Snap-cover
- Cross-section: 660 mm<sup>2</sup>
- Weight 0,323 kg/m
- Length 2 m

### APPLICATIONS

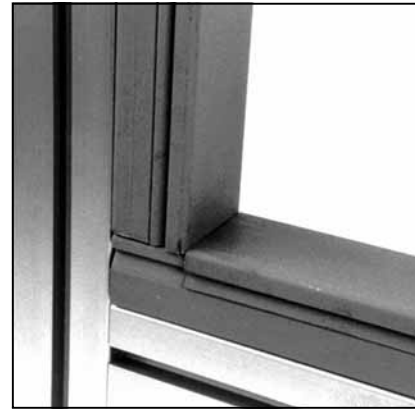
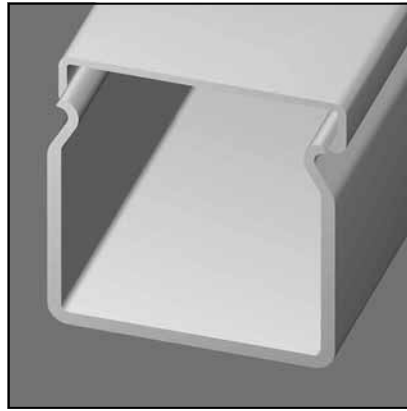
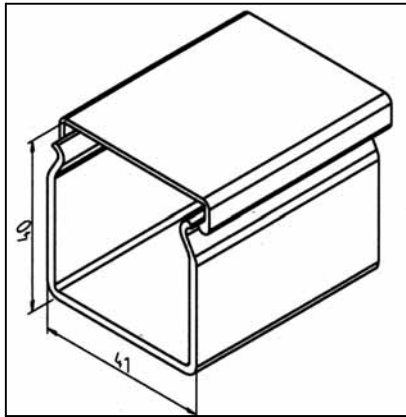
- Installation of cables or tubings in all kinds of constructions

### ASSEMBLY

- Fastening with screws M6 x 12 and rhombus-nut M6

## CONDUIT 45

Part. N° 22.1084/0



### TECHN. DATA / ITEMS SUPPLIED

- Hard PVC, grey
- Snap-cover
- Cross-section: 1584 mm<sup>2</sup>
- Weight 0,523 kg/m
- Length 2 m

### APPLICATIONS

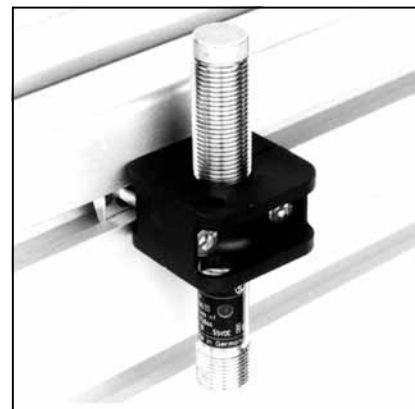
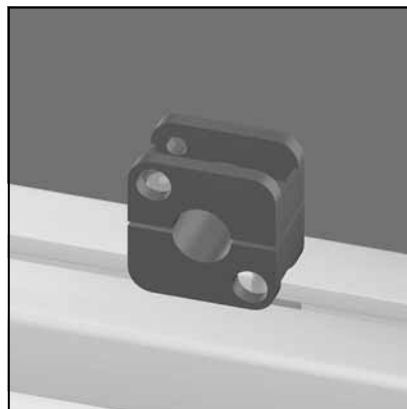
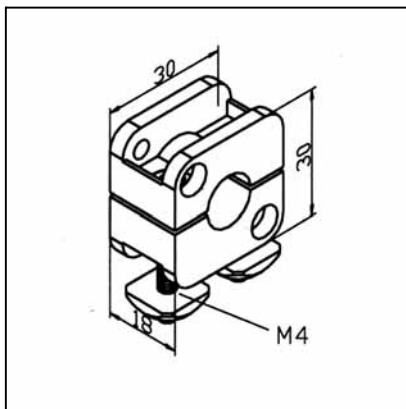
- Installation of cables or tubings in all kinds of constructions

### ASSEMBLY

- Fastening with screws M6 x 12 and rhombus-nut M6

## PROXIMITY SWITCH HOLDER 12

Part. N° 28.0120/0



### TECHN. DATA / ITEMS SUPPLIED

- Hard plastic, black
- Ø 12
- Fixing kit
- Weight 0,040 kg

### APPLICATIONS

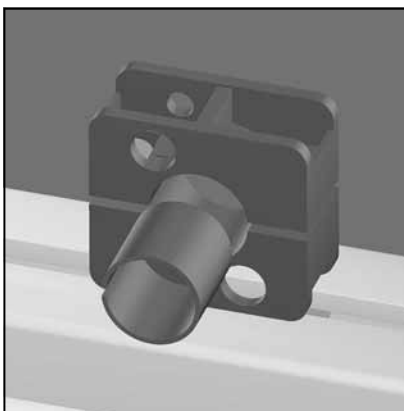
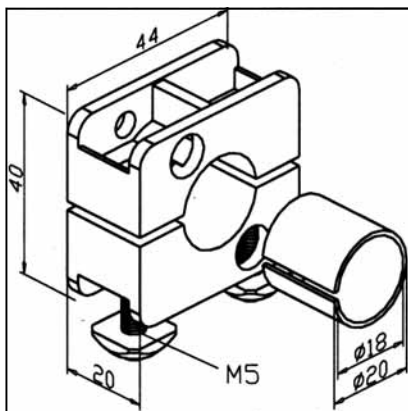
- Fixing of proximity switches Ø 12 in profile constructions and linear guides

### ASSEMBLY

- On profile groove with fixing kit from supply schedule

## PROXIMITY SWITCH HOLDER 18

Part. N° 28.0121/0



### TECHN. DATA / ITEMS SUPPLIED

- Hard plastic, black
- Ø 18
- Ø 20
- Fixing kit
- Weight 0,050 kg

### APPLICATIONS

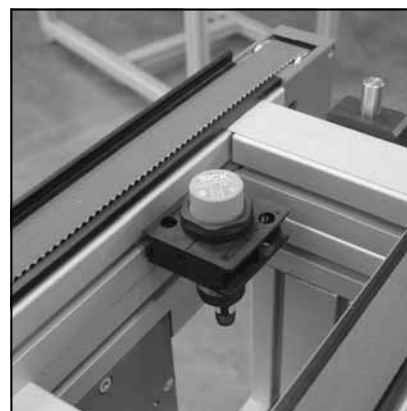
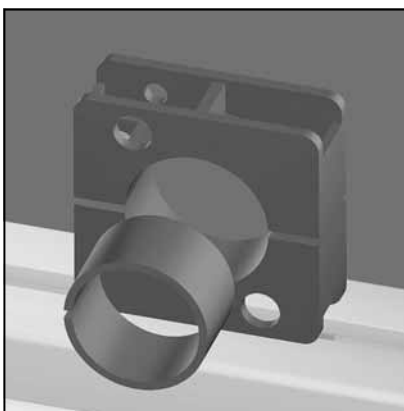
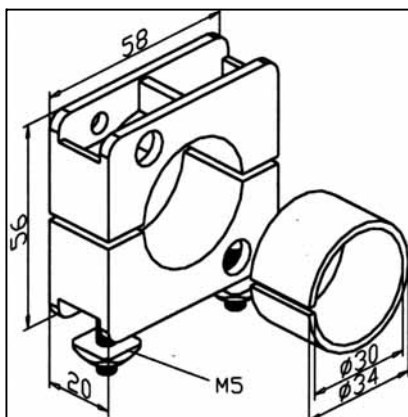
- Fixing of proximity switches Ø 18 and Ø 20 in profile constructions and linear guides

### ASSEMBLY

- On profile groove with fixing kit from supply schedule

## PROXIMITY SWITCH HOLDER 30

Part. N° 28.0122/0



### TECHN. DATA / ITEMS SUPPLIED

- Hard plastic, black
- Ø 30
- Ø 34
- Fixing kit
- Weight 0,060 kg

### APPLICATIONS

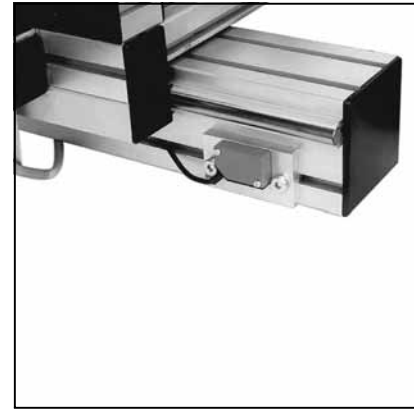
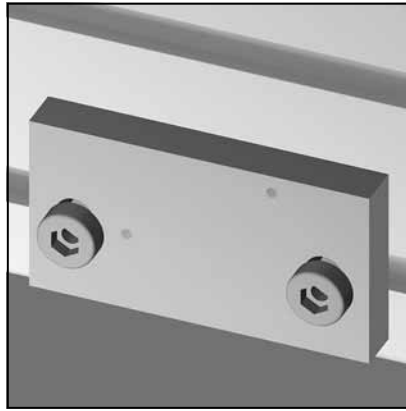
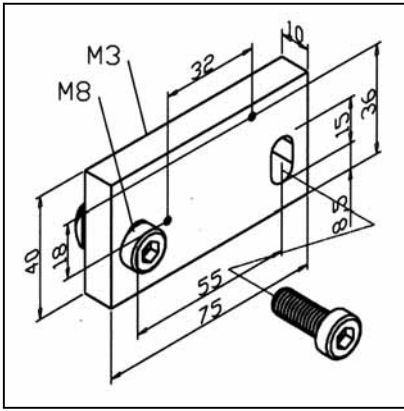
- Fixing of proximity switches Ø 30 and Ø 34 in profile constructions and linear guides

### ASSEMBLY

- On profile groove with fixing kit from supply schedule

## PROXIMITY SWITCH HOLDER AL

Part. N° 28.0117/0



### TECHN. DATA / ITEMS SUPPLIED

- Aluminium, natural

---

- Fixing kit

---

- Weight 0,120 kg

### APPLICATIONS

- Fixing of limit stops switches for standard constructions; cuboid form (40 mm x 26 mm x 12 mm) in profile constructions and linear guides

### ASSEMBLY

- On profile groove with fixing kit from supply schedule

---

- Adjust exact distance