



FEET, WHEELS, FLOOR  
FASTENINGS, SUPPORTS



## BASE AND TRANSPORT PLATE 45 X 90



### Items supplied

- Aluminium, powder-coated, grey
- With fixing kit

### Applications

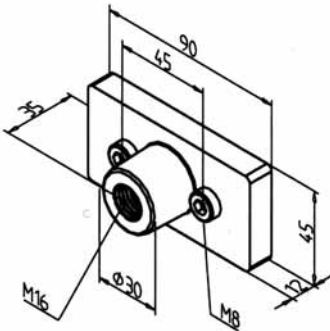
- Mounting of adjustable feet or wheels on profiles 45 x 90

### Assembly

- Connection with fixing kit from supply schedule on profile face

Thread	Thickness	Weight	Part no.
M10	15 mm	0.164 kg	21.1038/0
M12	15 mm	0.162 kg	21.1039/0
M16	15 mm	0.160 kg	21.1040/0
M20	15 mm	0.156 kg	21.1047/0

## BASE AND TRANSPORT PLATE 45 X 90 GD



### Items supplied

- Aluminium, powder-coated, grey
- With fixing kit

### Applications

- Mounting of adjustable feet or add-on pieces on profile face with thread M16 for profile 90 x 45

### Assembly

- Connection with fixing kit from supply schedule on profile face

Thread	Thickness	Weight	Part no.
M16	15 mm	0.135 kg	21.1136/0

## BASE AND TRANSPORT PLATE 90 R 90°



### Items supplied

- Aluminium, powder-coated, grey
- With fixing kit

### Applications

- Mounting of adjustable feet or wheels on profiles 90 R 90°

### Assembly

- Connection with fixing kit from supply schedule on profile face

Thread	Thickness	Weight	Part no.
M10	15 mm	0,277 kg	21.0009/0
M12	15 mm	0,275 kg	21.0010/0
M16	15 mm	0,272 kg	21.0011/0
M20	15 mm	0,268 kg	21.0012/0

## BASE AND TRANSPORT PLATE 90 X 90



### Items supplied

- Aluminium, powder-coated, grey
- With fixing kit

### Applications

- Mounting of adjustable feet or wheels on profiles 90 x 90

### Assembly

- Connection with fixing kit from supply schedule on profile face

Thread	Thickness	Weight	Part no.
M10	15 mm	0,332 kg	21.1041/0
M12	15 mm	0,330 kg	21.1042/0
M16	15 mm	0,345 kg	21.1043/0
M20	15 mm	0,290 kg	21.1057/0

## FEET PA



### Items supplied

- Plate PA, grey
- Anti-skid insert NBR
- Threaded bolt, steel, galvanized
- Locknut, steel, galvanized
- All bolts are suitable for all plates

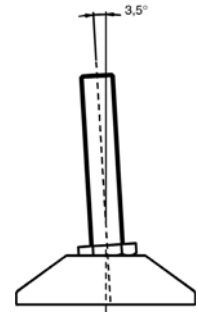
### Applications

- Levelling of machine bases or constructions
- Boards, partitions, enclosures
- Tables, conveyors and work benches

### Assembly

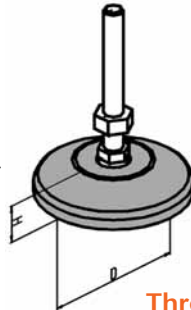
- Directly on core boring of profiles, reborable up to M12
- On larger threads use base and transport plate
- For profiles 45 x 90 und 90 x 90 a base and transport plate is required, if the feet are to be positioned centrally.

threaded bolt	Plate			
	Ø 30	Ø 45	Ø 60	Ø 80
M8	21.1851/0	21.1871/0	21.1881/0	21.1891/0
M10	21.1852/0	21.1872/0	21.1882/0	21.1892/0
M12	----	21.1873/0	21.1883/0	21.1893/0
M16	----	21.1874/0	21.1884/0	21.1894/0



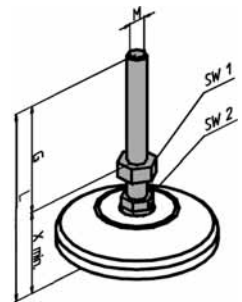
### Plate

D mm	H mm	max. load
30	20	300 kg
45	20	500 kg
60	20	1000 kg
80	20	1000 kg



### Threaded bolt

M	G	X	SW1	SW2	L
M8	33.5	38.5	13	14	72
M10	37	40	17	14	77
M12	140	42	19	14	182
M16	137	45	24	17	182

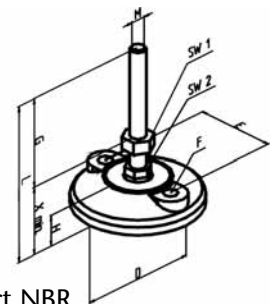


## FEET PA WITH ATTACHMENT BORES



### Items supplied

- Plate PA, grey
- Anti skid insert NBR
- Threaded bolt, steel, galvanized
- Locknut, steel, galvanized
- Feet with load 1800 kg are supplied without anti-skid insert NBR

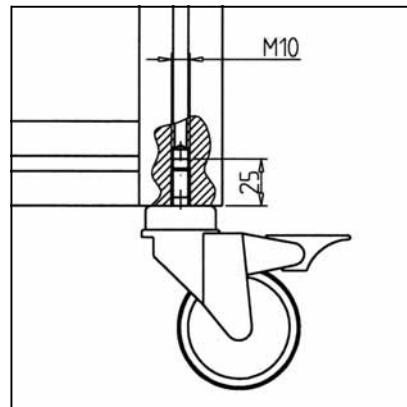
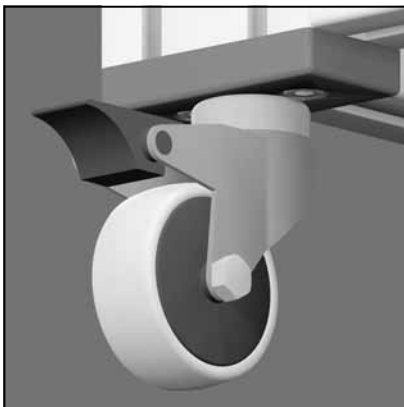
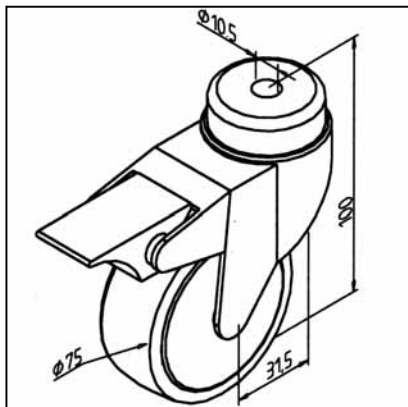


Part no.	Colour	M	G	X	SW1	SW2	L	E	F	D	Load
21.1846/0	grey	M10	82	40	17	14	122	74	Ø 9	100	1000 kg
21.1847/0	grey	M12	140	42	19	14	182	74	Ø 9	100	1000 kg
21.1848/0	grey	M16	137	45	24	17	182	74	Ø 9	100	1000 kg
21.1141/0	black	M16	132	58	24	24	190	74	Ø 12.5	100	1800 kg
21.1075/0	black	M20	129	61	30	24	190	74	Ø 12.5	100	1800 kg



## WHEEL SWIVEL TYPE WITH BRAKE

Part. N° 21.1120/0



### TECHN. DATA / ITEMS SUPPLIED

- Steel, zinc plated
- Tire, rubber, grey
- Fixing kit
- Weight 0,250 kg
- Load max. 50 kg
- Further constructions on demand

### APPLICATIONS

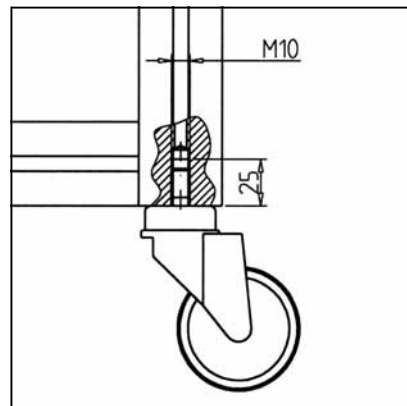
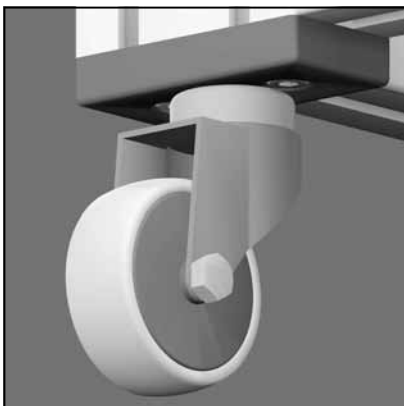
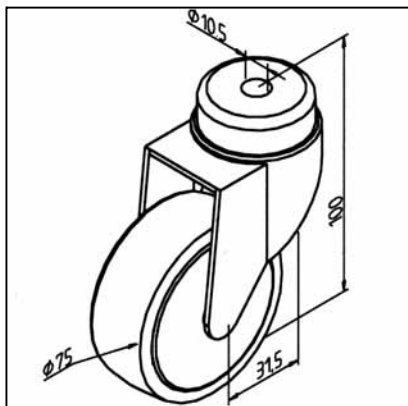
- Movable tables
- Material-pillars
- Show cases etc.

### ASSEMBLY

- Directly on central bore of the vertical profile; thread M10 required
- With profiles 45 x 45 or bigger use base plate M10

## WHEEL SWIVEL TYPE WITHOUT BRAKE

Part. N° 21.1118/0



### TECHN. DATA / ITEMS SUPPLIED

- Steel, zinc plated
- Tire, rubber, grey
- Fixing kit
- Weight 0,372 kg
- Load max. 50 kg
- Further constructions on demand

### APPLICATIONS

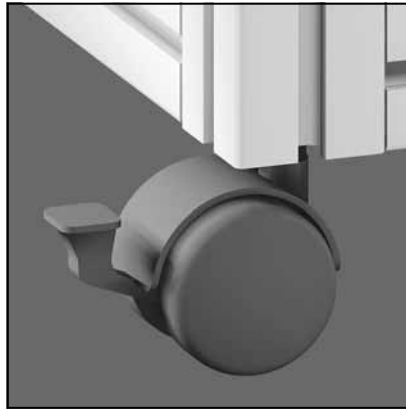
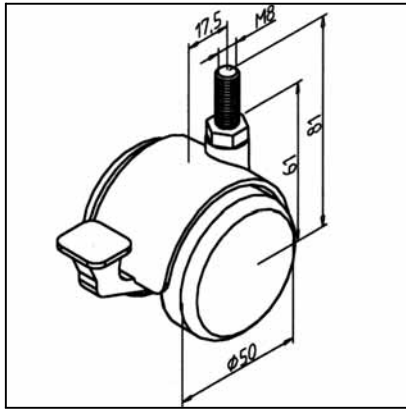
- Movable tables
- Material-pillars
- Show cases etc.

### ASSEMBLY

- Directly on central bore of the vertical profile; thread M10 requested
- If the wheel is to be positioned centrally, for profiles 45 x 45 or bigger a base plate is required

## FURNITURE WHEEL WITH LOCKING DEVICE

Part. N° 21.1153/0



### TECHN. DATA / ITEMS SUPPLIED

- Housing, polyamide, black
- Double wheel, polyamide, black with slide bearing
- Fixing kit
- Weight 0,080 kg
- Load max. 30 kg

### APPLICATIONS

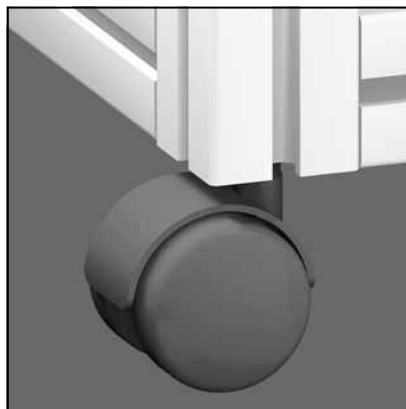
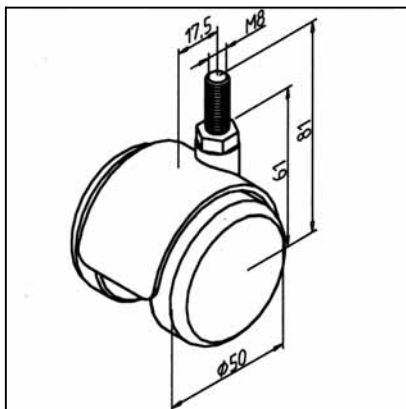
- Light movable tables
- Movable file box
- Office furniture, Tool boxes

### ASSEMBLY

- Directly on central bore of the vertical profile
- If the wheel is to be positioned centrally, for profiles 45 x 45 or bigger a base plate with thread M8 is required

## FURNITURE WHEEL WITHOUT LOCKING DEVICE

Part. N° 21.1105/0



### TECHN. DATA / ITEMS SUPPLIED

- Housing, polyamide, black
- Double wheel, polyamide, black with slide bearing
- Fixing kit
- Weight 0,076 kg
- Load max. 30 kg

### APPLICATIONS

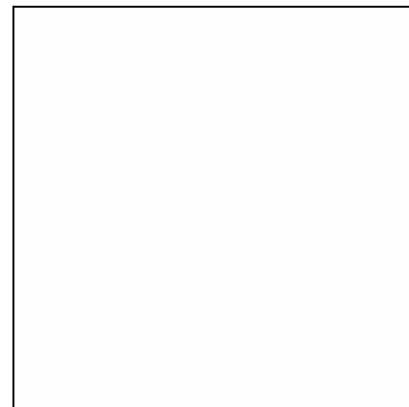
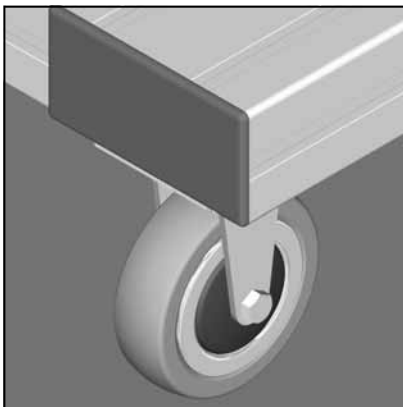
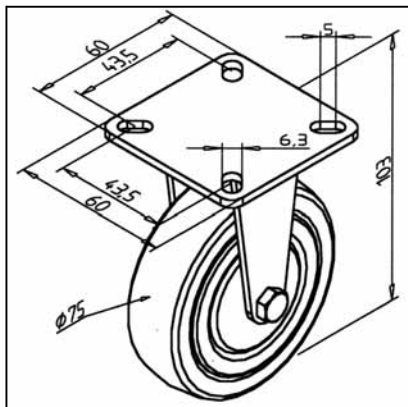
- Light movable tables
- Movable file box
- Office furniture, Tool boxes

### ASSEMBLY

- Directly on central bore of the vertical profile
- If the wheel is to be positioned centrally, for profiles 45 x 45 or bigger a base plate with thread M8 is required

## WHEEL Ø 75 X 100 RIGID TYPE

Part. N° 21.1475/0



### TECHN. DATA / ITEMS SUPPLIED

- Housing, steel
- Tire, rubber, grey
- Fixing kit
- Weight 0,350 kg
- Load max. 50 kg
- Further constructions on demand

### APPLICATIONS

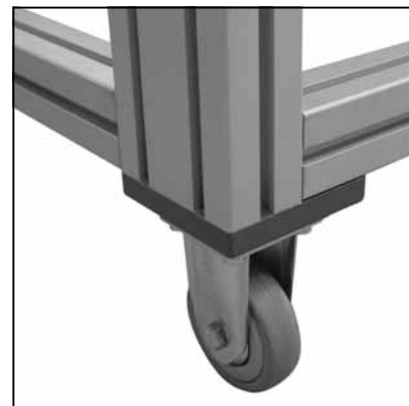
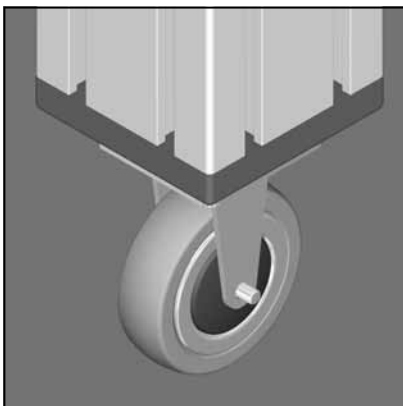
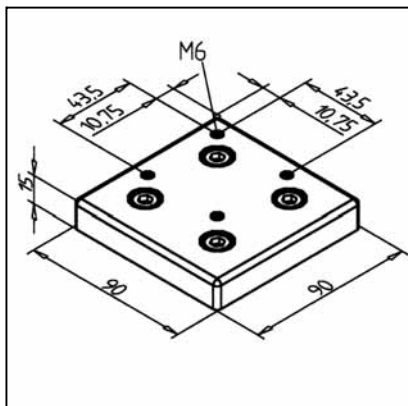
- Material-pillars
- Frames
- Movable tables

### ASSEMBLY

- With fixing kit from supply schedule directly on profile groove or
- With fixing plate for wheel rigid type **Part N° 21.1476/0** on profile

## FIXING PLATE FOR WHEEL RIGID TYPE

Part. N° 21.1476/0



### TECHN. DATA / ITEMS SUPPLIED

- Aluminium GD, powder coated, grey
- Fixing kit
- Weight 0,330 kg

### APPLICATIONS

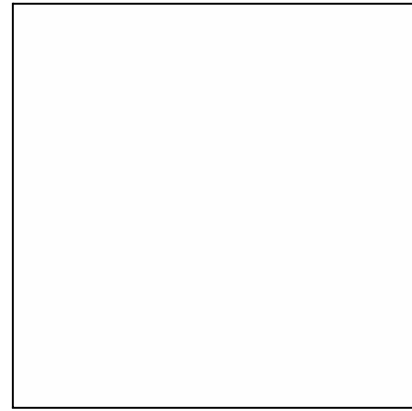
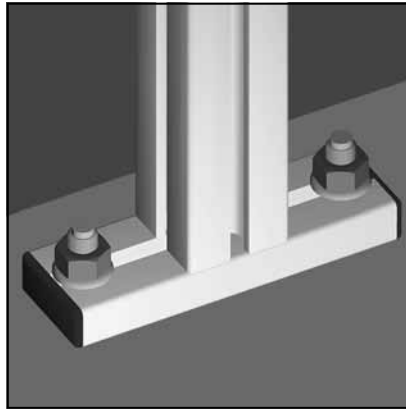
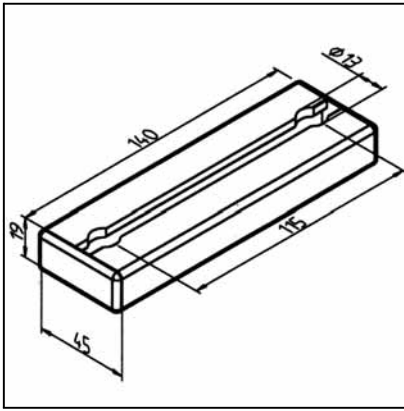
- For fastening of wheel Ø 75 x 100 rigid type **Part N° 21.1475/0** on profile face 90 x 90

### ASSEMBLY

- Use fixing kit from supply schedule

## FLOOR MOUNTING PLATE 45

Part. N° 21.1730/0



### TECHN. DATA / ITEMS SUPPLIED

- Profile 45 x 19
- End caps, grey
- Without fixing kit
- Weight 0,130 kg

### APPLICATIONS

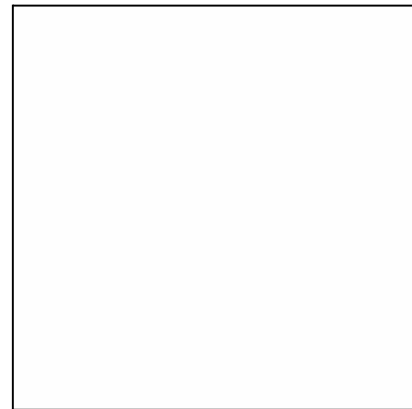
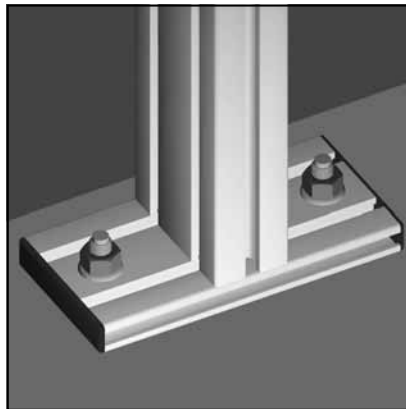
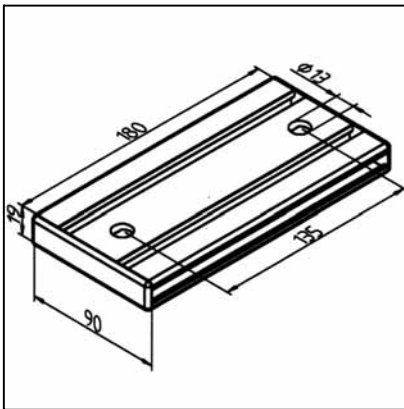
- Floor mounting of stand-profiles 45 x 45

### ASSEMBLY

- On profile side: MiniTec power-lock fastener
- On floor side: 2 floor anchors 10  
**Part N° 21.1082/0**

## FLOOR MOUNTING PLATE 45 / 90

Part. N° 21.1732/0



### TECHN. DATA / ITEMS SUPPLIED

- Profile 90 x 19
- End caps, grey
- Without fixing kit
- Weight 0,330 kg

### APPLICATIONS

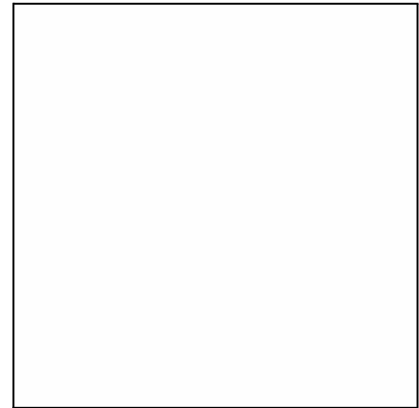
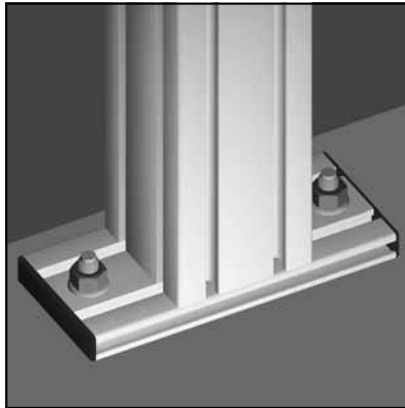
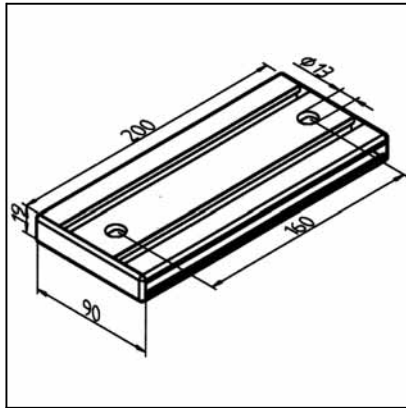
- Floor mounting of stand-profiles 45 x 45 or 45 x 90 transversal

### ASSEMBLY

- On profile side: 1 or 2 MiniTec power-lock fasteners
- On floor side: 2 floor anchors 10  
**Part N° 21.1082/0**

## FLOOR MOUNTING PLATE 90

Part. N° 21.1733/0



### TECHN. DATA / ITEMS SUPPLIED

- Profile 90 x 19
- End caps, grey
- Without fixing kit
- Weight 0,465 kg

### APPLICATIONS

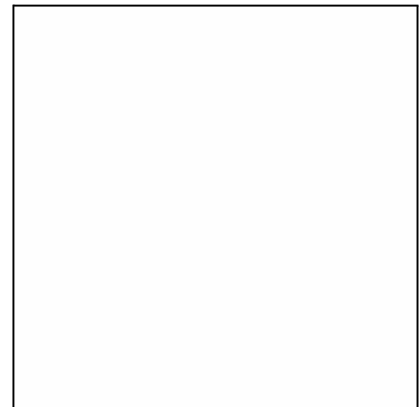
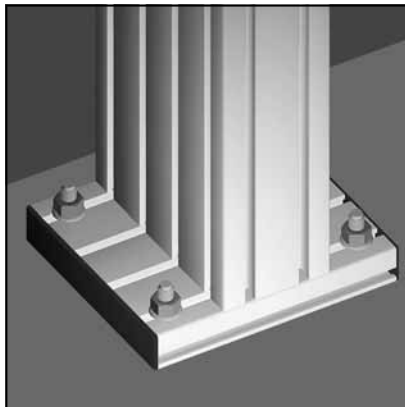
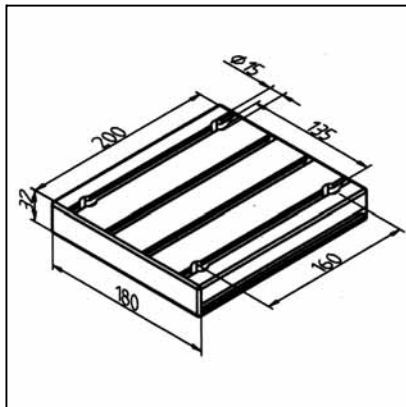
- Floor mounting of stand-profiles 45 x 90 lengthwise or 90 x 90

### ASSEMBLY

- On profile side: 2 or 4 MiniTec power-lock fasteners
- On floor side: 4 floor anchors 10  
**Part N° 21.1082/0**

## FLOOR MOUNTING PLATE 90 X 180

Part. N° 21.1734/0



### TECHN. DATA / ITEMS SUPPLIED

- Profile 32 x 180
- End caps, grey
- Without fixing kit
- Weight 2,030 kg

### APPLICATIONS

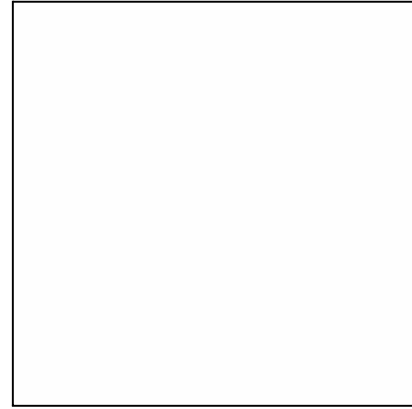
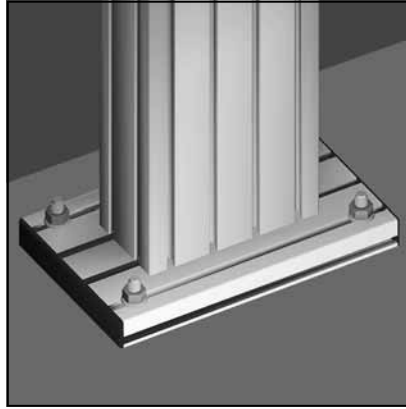
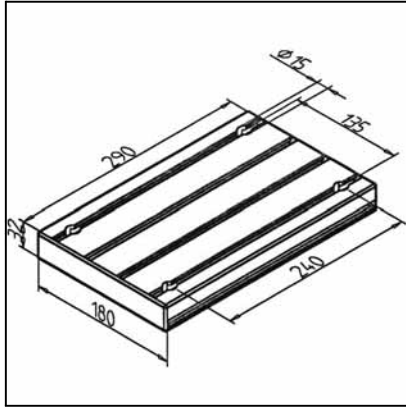
- Floor mounting of stand-profiles 90 x 90 or 90 x 180 transversal

### ASSEMBLY

- On profile side: 4 MiniTec power-lock fasteners
- On floor side: 4 floor anchors 12  
**Part N° 21.1115/0**

## FLOOR MOUNTING PLATE 180

Part. N° 21.1735/0



### TECHN. DATA / ITEMS SUPPLIED

- Profile 32 x 180
- End caps, grey
- Without fixing kit
- Weight 2,800 kg

### APPLICATIONS

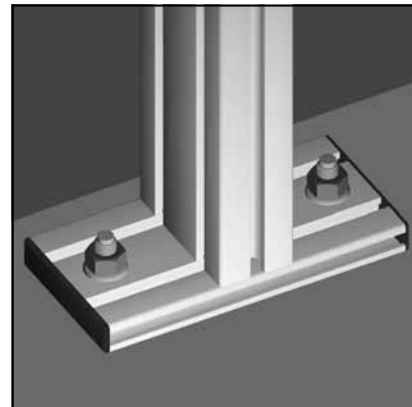
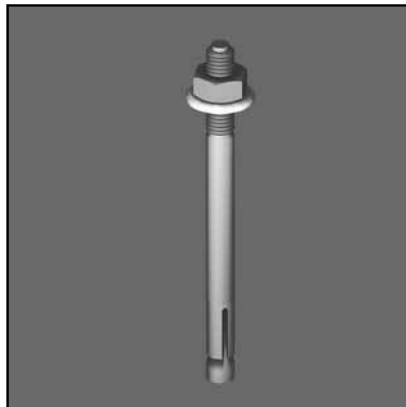
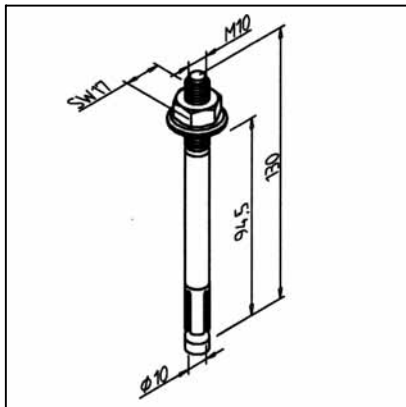
- Floor mounting of stand-profiles 90 x 180 lengthwise

### ASSEMBLY

- On profile side: 4 MiniTec power-lock fasteners
- On floor side: 4 floor anchors 16  
**Part N° 21.1115/0**

## FLOOR ANCHOR 10

Part. N° 21.1082/0



### TECHN. DATA / ITEMS SUPPLIED

- Steel, zinc plated
- Ø 10
- Complete with nut and washer
- Weight 0,084 kg

### APPLICATIONS

- Attachment of stand-profiles to floor or wall. To be used together with angle bracket for floor fastening, levelling plate or floor mounting plate

### ASSEMBLY

- Fit bore in the bottom
- Screw floor anchor in connection with angle, levelling plate or floor mounting plate



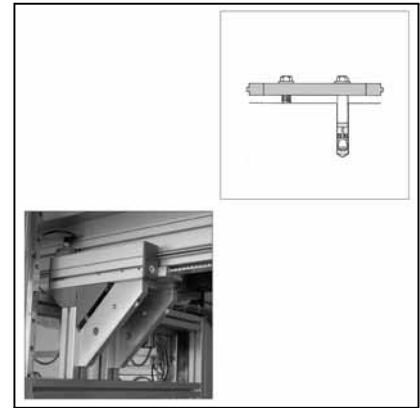
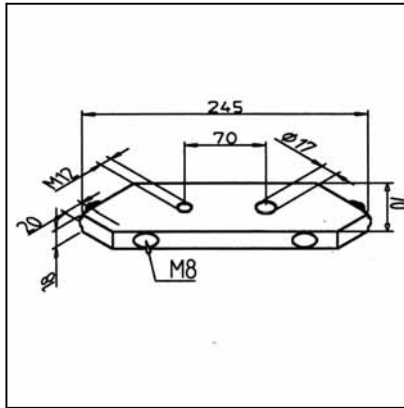






## CORNER 180

Part. N° 21.1784/0



### TECHN. DATA / ITEMS SUPPLIED

- Aluminium, natural anodized
- Fixing kit
- Weight 0,690 kg

### APPLICATIONS

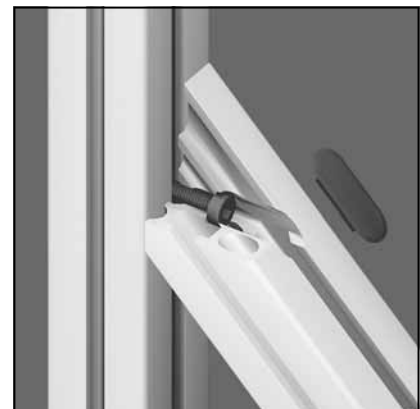
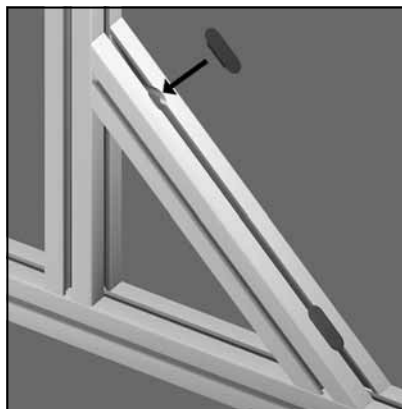
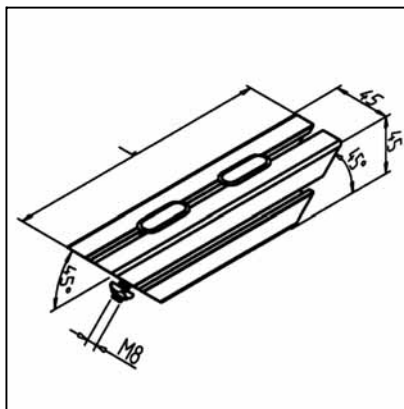
- Strengthening of heavy constructions
- Attachment of internal feet
- Floor mounting and levelling of frames

### ASSEMBLY

- On profile side with fixing kit
- On floor side fasten with floor anchor and levelling screw M12

## STRENGTHENING ELEMENT 45

Part. N° 21.1761/0



### TECHN. DATA / ITEMS SUPPLIED

- Profile 45 x 45, ready for use
- Both ends cut at 45° with counter-bores for fixing kit
- Fixing kit
- Weight 0,870 kg
- Length 360 mm

### APPLICATIONS

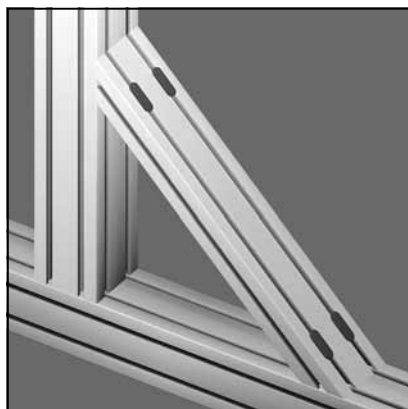
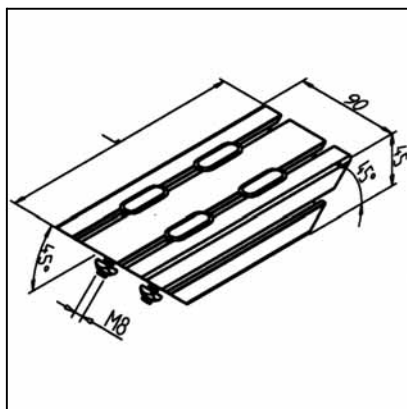
- Reinforcement of constructions in half-timbered principle

### ASSEMBLY

- Screw onto profile groove use the fixing kit

## STRENGTHENING ELEMENT 90

Part. N° 21.1762/0



### TECHN. DATA / ITEMS SUPPLIED

- Profile 45 x 90, ready for use
- Both ends cut at 45° with 4 counter-bores for fixing kit
- Fixing kit
- Weight 1,416 kg
- Length 360 mm

### APPLICATIONS

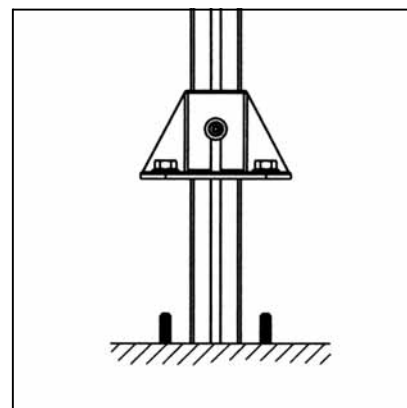
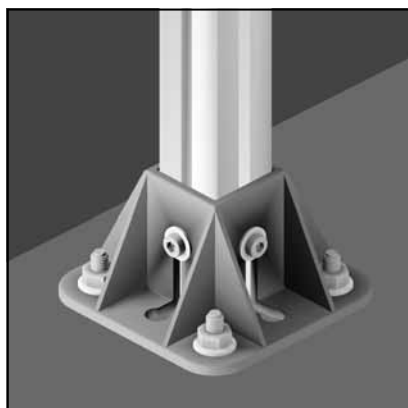
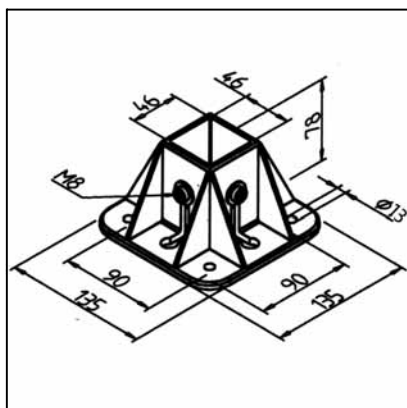
- Reinforcement of constructions in half-timbered principle

### ASSEMBLY

- Screw onto profile groove use the fixing kit

## FOOT 45 GD

Part. N° 21.1731/0



### TECHN. DATA / ITEMS SUPPLIED

- Aluminium GD, powder coated, grey
- Fixing kit for profile
- Weight 0,587 kg

### APPLICATIONS

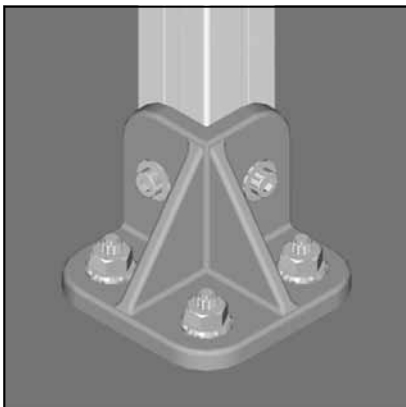
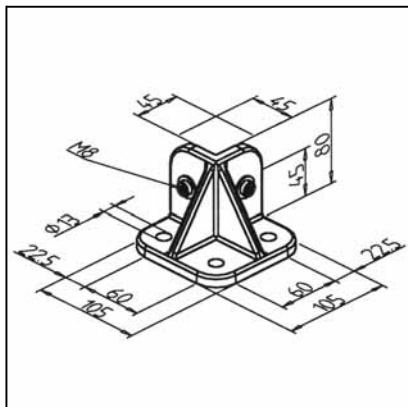
- Suitable for profiles up to dimension 45 x 45
- Floor mounting of guard units, information plates and frames
- As connection element for wall attachment; can be used for both sides

### ASSEMBLY

- Insert profile into foot
- Insert the square nut with spring steel sheet into the profile groove; insert the screws
- Fix the foot on the floor or on the wall; for this purpose use high-performance anchors or universal dowels with hexagon screws
- Tighten the fixing screws

### FOOT 45 GD S

Part. N° 21.1723/0



**TECHN. DATA / ITEMS SUPPLIED**

- Aluminium GD, powder coated, grey

---

- Fixing kit for profile

---

- Weight 0,499 kg

**APPLICATIONS**

- Suitable for all profiles

---

- Floor mounting of guard units, information plates and frames

---

- As connection element for wall attachment; can be used for both sides

**ASSEMBLY**

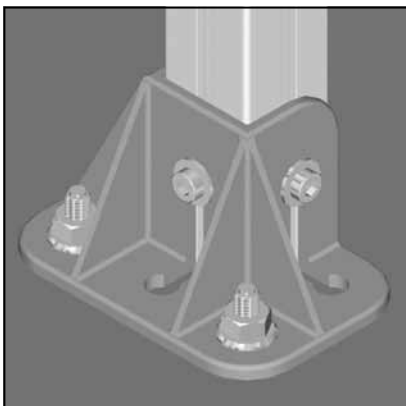
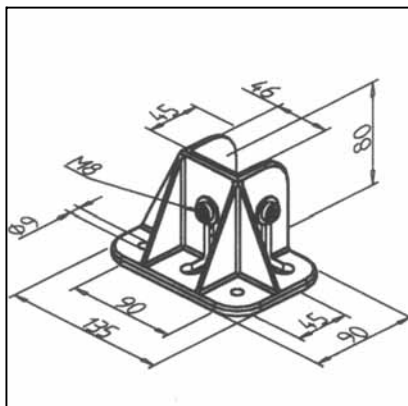
- Insert profile into foot

---

- Fix the foot on the floor or on the wall; for this purpose use high-performance anchors or universal dowels with hexagon screws

### FOOT 45 GD OPEN

Part. N° 21.1738/0



**TECHN. DATA / ITEMS SUPPLIED**

- Aluminium GD, powder coated, grey

---

- Fixing kit for profile

---

- Weight 0,356 kg

**APPLICATIONS**

- Floor mounting of guard units, information plates and frames

---

- As connection element for wall attachment; can be used for both sides

**ASSEMBLY**

- Insert profile into foot

---

- Insert the square nut with spring steel sheet into the profile groove; insert the screws

---

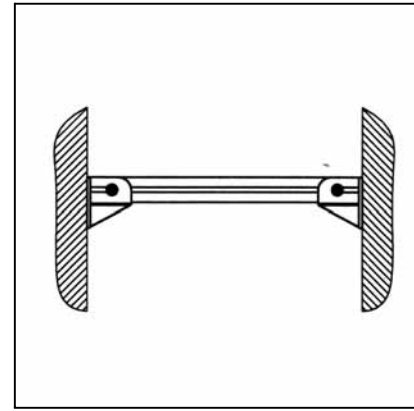
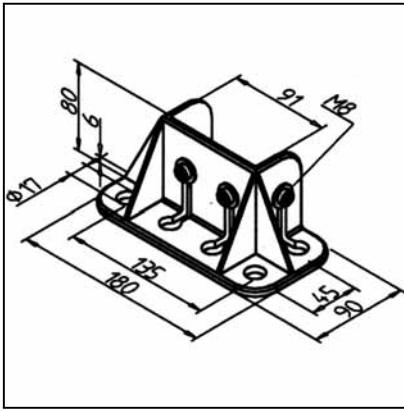
- Fix the foot on the floor or on the wall; for this purpose use high-performance anchors or universal dowels with hexagon screws

---

- Tighten the fixing screws

## FOOT 90 GD

Part. N° 21.1737/0



### TECHN. DATA / ITEMS SUPPLIED

- Aluminium GD, powder coated, grey
- Fixing kit for profile
- Weight 0,465 kg

### APPLICATIONS

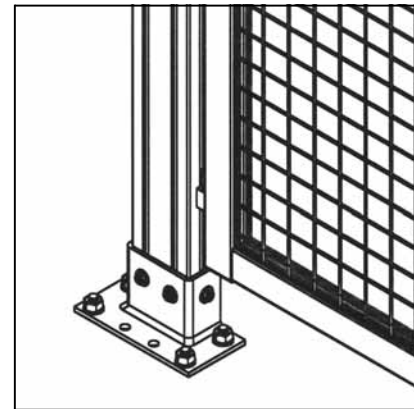
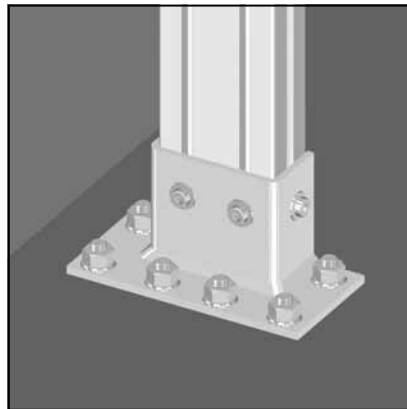
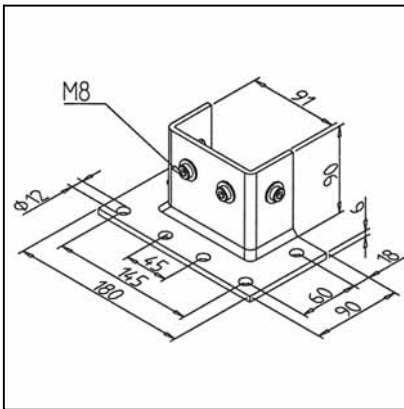
- Suitable for profiles up to dimension 45 x 90, 90 x 90 and 90 x 180
- Floor fastening of guard units, information plates and frames
- Connection element for wall attachment; can be used for both sides

### ASSEMBLY

- Insert profile into foot
- Insert the square nut with spring steel sheet into the profile groove; insert the screws
- Fix the foot on the floor or on the wall; for this purpose use high-performance anchors or universal dowels with hexagon screws
- Tighten the fixing screws

## FOOT 90 S

Part. N° 21.1707/0



### TECHN. DATA / ITEMS SUPPLIED

- Steel, zinc plated
- Fixing kit for profile
- Weight 1,438 kg

### APPLICATIONS

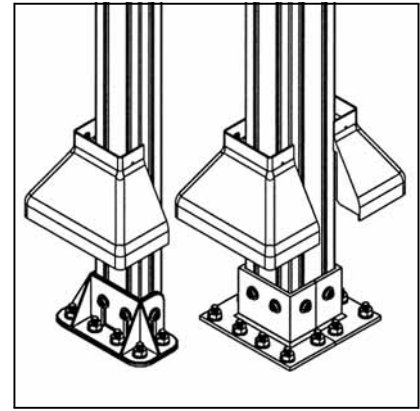
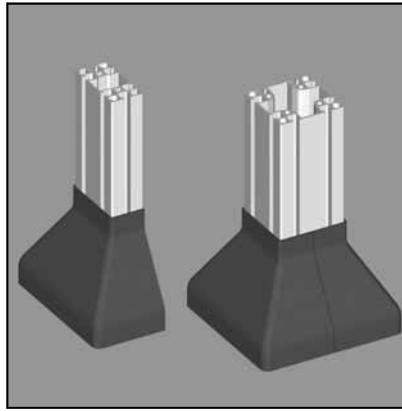
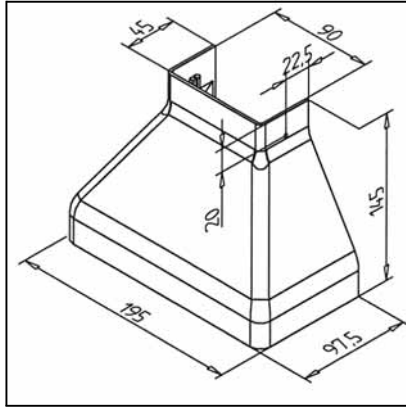
- Suitable for profiles up to dimension 45 x 90, 90 x 90 and 90 x 180
- Floor mounting of guard units, information plates and frames
- Connection element for wall attachment; can be used for both sides

### ASSEMBLY

- Insert spring-loaded square nuts in profile grooves and slide to fixing position
- Fix the foot on the floor or on the wall; for floor mounting use high performance anchors 12 mm or universal dowels with hexagon screws M12
- Tighten the screws on profile

## COVER FOOT GD

Part. N° 22.1025/1



### TECHN. DATA / ITEM SUPPLIED

- ABS, grey

---

- Weight 0,131 kg

### APPLICATIONS

- Suitable for foot 90 GD and 90 S

---

- Less dust and dirt deposit on the foot

---

- Easy to clean

### ASSEMBLY

- Expand the cover manually and clip in the slots of the profile

---

- Push the cover downwards

---

- Laterally fix with self tapping screw 3,4 x 16; in addition drill  $\varnothing$  2,5 on the marked place