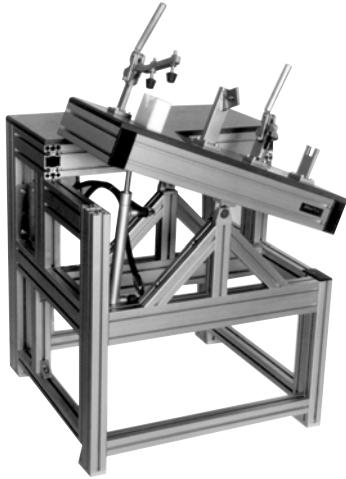




HYDRAULIC  
VERTICAL ADJUSTMENT

## HYDRAULIC VERTICAL ADJUSTMENT



### Items supplied

- Hydraulic hand pump for 1 to 6 cylinders
- Cylinders with 150 - 500 mm stroke
- Hydraulic tubes PA 4 mm
- Single-acting cylinders
- Minimum load for return ~ 5 kg
- Temperature from -20°C to + 45°C

### Applications

- Lifting and lowering of tables, work benches, terminals etc.

### Assembly

- Screw pump at desired position onto the profile groove with screws M6
- Fix cylinder in aluminium profile "S" with adaptor rings
- Attach cylinder onto profile groove with adaptor plate

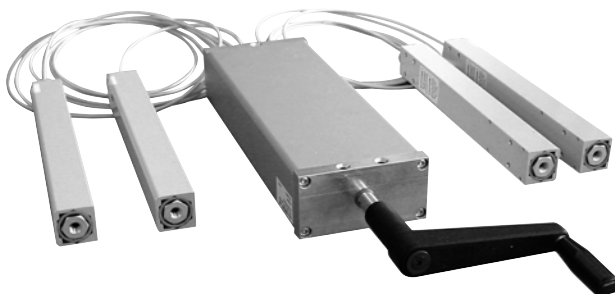
### Available special models and accessories

- System with hose coupling **Part Nr. 27.0003/0**, for decoupling the cylinder from the pump
- Angle connector **Part Nr. 27.0002/0** Angle 90°, for pump and cylinders
- Attachment parts for pumps according to customer request
- Attachment set 45 for add-in cylinder **Part Nr. 27.0005/0** for all profiles with bore 32 except for profile 90 x 90 S and 90 x 180 S. For these, please use attachment set 90, **Part Nr. 27.0006/0**
- Service kit with oil, screw connections, special spanner, hose cutter, and filling injector

Use great caution when working on the hydraulics. To avoid penetration of air into the hydraulic system, we recommend having this work performed by us.



## COMPLETE SYSTEM WITH ADD-ON CYLINDER AZ



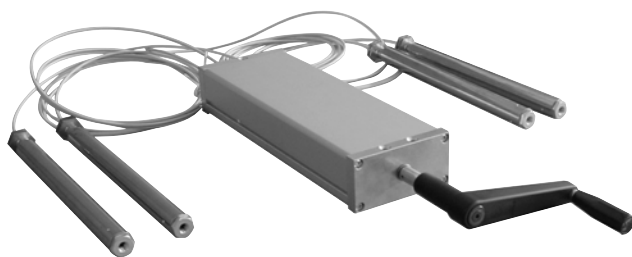
### Item supplied

- Pump with folding crank
- Cylinder with 2.5 m hydraulic tube
- Completely assembled and inspected system

See the following pages for dimensions and data.

Pump system load	TB		PB			
	150 kg	300 kg	350 kg			
Type (stroke) \ No. of cylinders	1	2	3	4	5	6
AZ 150	27.0050/1	27.0050/2	27.0050/3	27.0050/4	27.0050/5	27.0050/6
AZ 200	27.0051/1	27.0051/2	27.0051/3	27.0051/4	27.0051/5	27.0051/6
AZ 300	27.0052/1	27.0052/2	27.0052/3	27.0052/4	27.0052/5	27.0052/6
AZ 400	27.0053/1	27.0053/2	27.0053/3	27.0053/4	27.0053/5	27.0053/6
AZ 500	27.0054/1	27.0054/2	27.0054/3	27.0054/4	27.0054/5	27.0054/6

## COMPLETE SYSTEM WITH ADD-IN CYLINDER EZ



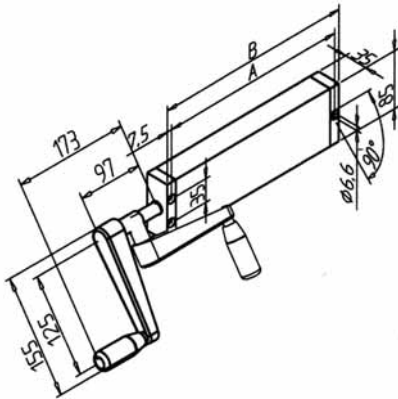
### Item supplied

- Pump with folding crank
- Cylinder with 2.5 m hydraulic tube
- Completely assembled and inspected system

See the following pages for dimensions and data.

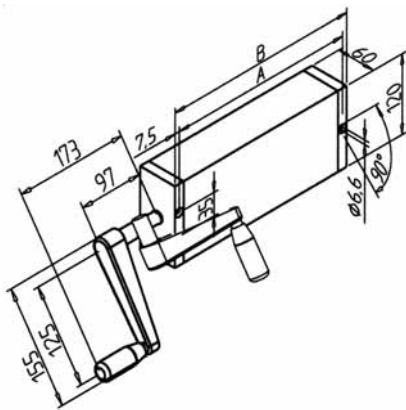
Pump system load	TB		PB			
	150 kg	300 kg	350 kg			
Type (stroke) \ No. of cylinders	1	2	3	4	5	6
EZ 150	27.0060/1	27.0060/2	27.0060/3	27.0060/4	27.0060/5	27.0060/6
EZ 200	27.0061/1	27.0061/2	27.0061/3	27.0061/4	27.0061/5	27.0061/6
EZ 300	27.0062/1	27.0062/2	27.0062/3	27.0062/4	27.0062/5	27.0062/6
EZ 400	27.0063/1	27.0063/2	27.0063/3	27.0063/4	27.0063/5	27.0063/6
EZ 500	27.0064/1	27.0064/2	27.0064/3	27.0064/4	27.0064/5	27.0064/6

### HYDRAULIC PUMP TB FOR 1-2 CYLINDERS



Type	Stroke H mm	Dimension A mm	Dimension B mm
Hydraulic pump TB 150	150	283,5	298,5
Hydraulic pump TB 200	200	343,5	358,5
Hydraulic pump TB 300	300	465,5	480,5
Hydraulic pump TB 400	400	585,5	600,5
Hydraulic pump TB 500	500	707,5	722,5

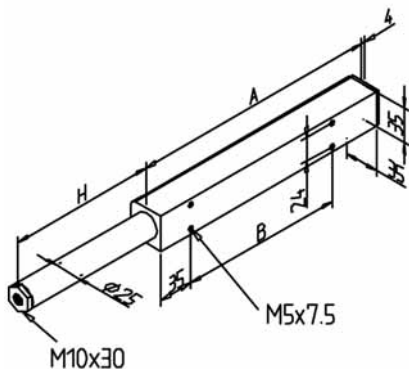
### HYDRAULIC PUMP PB FOR 3-6 CYLINDERS



Type	Stroke H mm	Dimension A mm	Dimension B mm
Hydraulic pump PB 150	150	283,5	298,5
Hydraulic pump PB 200	200	343,5	358,5
Hydraulic pump PB 300	300	465,5	480,5
Hydraulic pump PB 400	400	585,5	600,5
Hydraulic pump PB 500	500	707,5	722,5

### ADD-ON CYLINDER AZ

For attachment with adaptor plate.



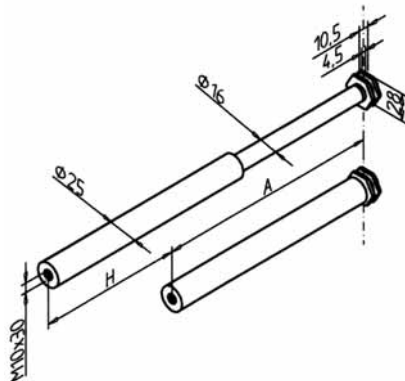
Type	Stroke H mm	Length A mm	Length B mm	lateral load kg max.
AZ 150	150	252	165	130
AZ 200	200	317	240	97
AZ 300	300	442	340	65
AZ 400	400	542	340	48
AZ 500	500	667	450	29

## ADD-IN CYLINDER EZ

For installation in MiniTec profiles 45 x 90 S / 45 x 135 / 45 x 180 / 90 x 90 S / 90 x 180.

To install the cylinder, use attachment set "add-in cylinder"

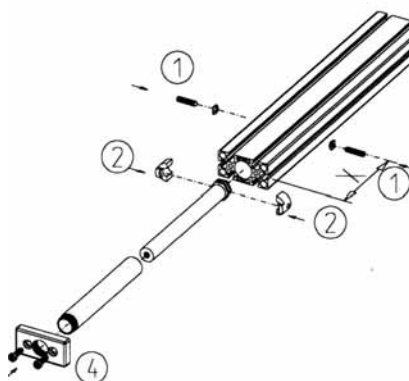
Part N° 27.0005/0 or Part N° 27.0006/0.



Type	Stroke H mm	Length A mm	lateral load kg max.
EZ 150	150	235	130
EZ 200	200	300	97
EZ 300	300	425	65
EZ 400	400	525	48
EZ 500	500	650	29

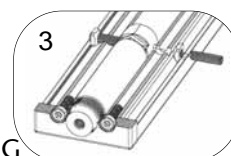
## ATTACHMENT SET 45 FOR ADD-IN CYLINDER

Part N° 27.0005/0



### Applications

- Suitable for all stroke lengths
- For profile 45 x 90 S, 45 x 135 G and 45 x 180 G



### Installation

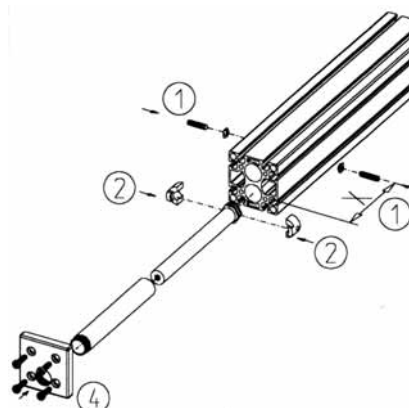
- 1) Bore Ø 8,5 mm in distance "X" from profile end
- 2) Place two holder pieces on cylinder and insert into the profile bore Ø 32 mm
- 3) Position holder pieces according to dimension table (below) and drill - fix with setscrew
- 4) Screw guide pipe into connection plate, insert into profile and tighten

### Table of Dimensions for Attachment Set 45 and 90

Cylinder	EZ 150	EZ 200	EZ 300	EZ 400	EZ 500
Distance X	224 mm	289 mm	414 mm	514 mm	639 mm

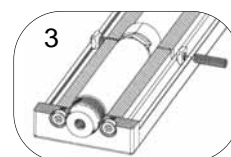
## ATTACHMENT SET 90 FOR ADD-IN CYLINDER

Part N° 27.0006/0



### Applications

- Suitable for all stroke lengths
- For profile 90 x 90 S, 90 x 180



### Installation

- 1) Bore Ø 8,5 mm in distance "X" from profile end
- 2) Place two holder pieces on cylinder and insert into the profile bore Ø 32 mm
- 3) Position holder pieces according to dimension table (below) and drill - fix with setscrew
- 4) Screw guide pipe into connection plate, insert into profile and tighten