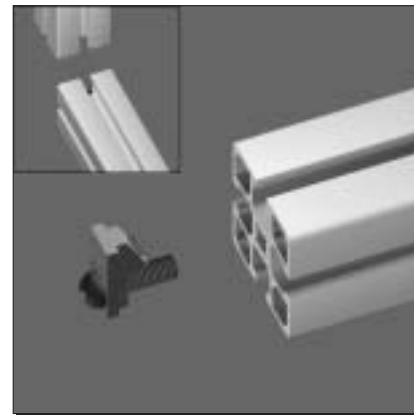
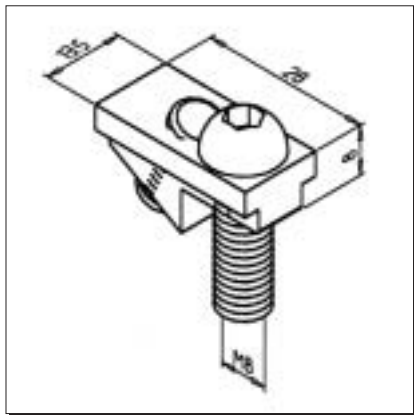


MINITEC POWER-LOCK FASTENER

Part N° 21.1018/0



TECHN. DATA/ITEMS SUPPLIED

- 1 connecting element, stainless steel
- 1 Hex socket cap screw M8 x 25, stainless steel

Weight 0,029 kg

Stainless version Part N° 21.1018/1

APPLICATIONS

- Power-lock connection for all profiles, also suitable for crossjoints
- For larger profile sections several fasteners can be used
- For all profiles

ASSEMBLY

- Mount fastener by hand onto profile-face
- Tighten setscrew M8 with key SW 4
- Recommended locking torque 12Nm
- See page 60