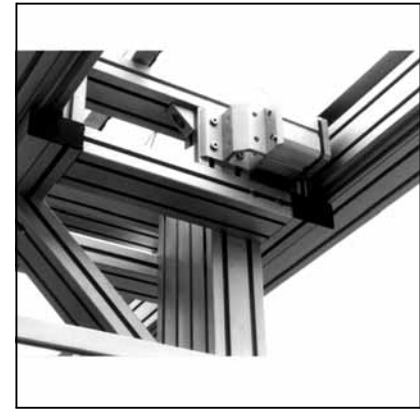
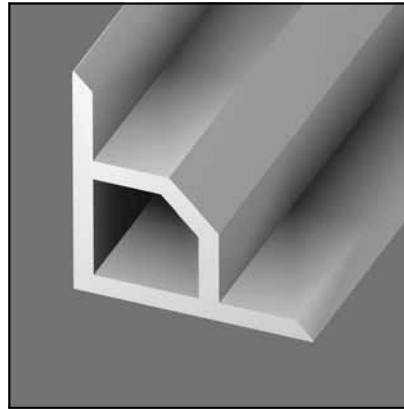
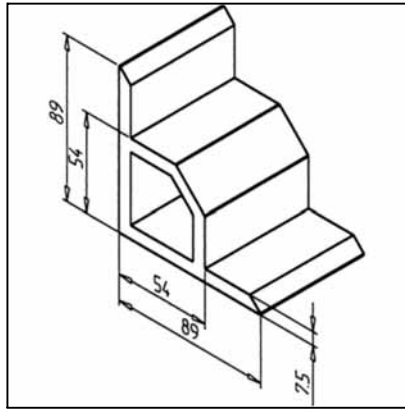


# ANGULAR PROFILE 89 X 89

Part. N° 20.1011/0



## TECHN. DATA / ITEMS SUPPLIED

- $I_x =$	105,416 cm <sup>4</sup>
- $I_y =$	105,416 cm <sup>4</sup>
- $w_x =$	17,413 cm <sup>3</sup>
- $w_y =$	17,413 cm <sup>3</sup>
- Weight	4,868 kg/m
- Length	6 m
- Packing unit	72 m

## APPLICATIONS

- Consoles
- Supports
- Material for special mounting angles

## ASSEMBLY

- Screws M8 x 20 and square nuts M8