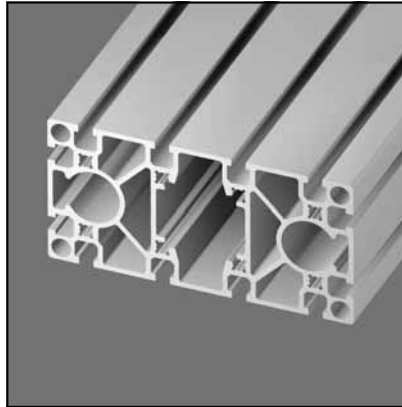
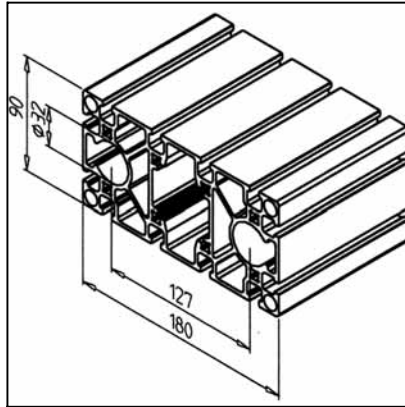


PROFILE 90 X 180 S

Part. N° 20.1013/0



TECHN. DATA / ITEMS SUPPLIED

- Ix =	1421,865 cm ⁴
- Iy =	376,784 cm ⁴
- wx =	157,983 cm ³
- wy =	83,729 cm ³
- Weight	11,482 kg/m
- Length	6 m
- Packing unit	6 m

APPLICATIONS

- Universal for general heavy duty constructions
- Linear guiding LB as slide
- Central bore Ø 32 mm for ball-bushings LME 20, for ball-bearings 6201 or 6002, for compressed air piping or guiding of hydraulic dd-in cylinders

ASSEMBLY

- MiniTec power-lock fastener
- Angle 45 or 90
- Screw connection