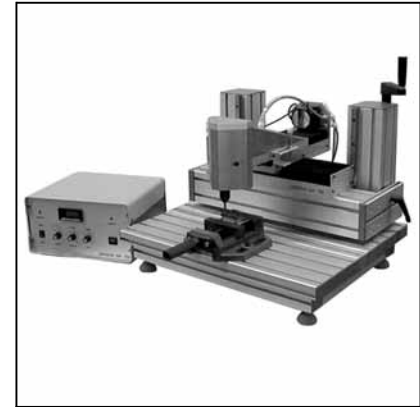
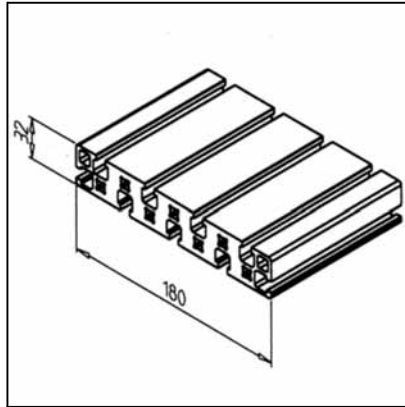


## PROFILE 32 X 180



Part. N° 20.1016/0

### TECHN. DATA / ITEMS SUPPLIED

- lx =	33,804 cm <sup>4</sup>
- ly =	843,825 cm <sup>4</sup>
- wx =	21,068 cm <sup>3</sup>
- wy =	93,758 cm <sup>3</sup>
- Weight	9,539 kg/m
- Length	6 m
- Packing unit	6 m

### APPLICATIONS

- Slides for MiniTec- linear system LR
- Clamping surfaces
- Bottom-plates
- Heavy duty constructions

### ASSEMBLY

- MiniTec power-lock fastener
- Cross bolt-fastener
- Angle 45 or 90
- Screw connection