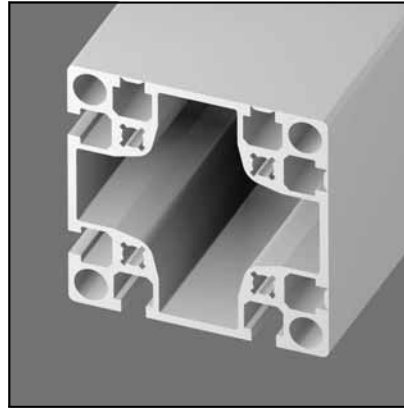
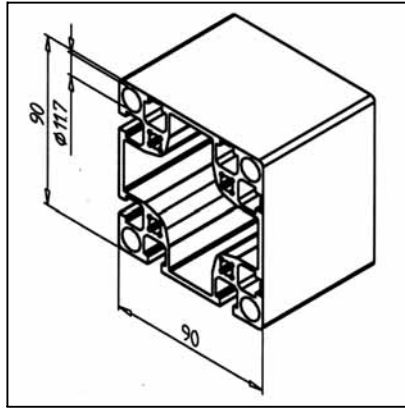


# PROFILE 90 X 90 2G

Part. N° 20.1044/0



## TECHN. DATA / ITEMS SUPPLIED

- lx =	191,320 cm <sup>4</sup>
- ly =	191,324 cm <sup>4</sup>
- wx =	42,083 cm <sup>3</sup>
- wy =	42,084 cm <sup>3</sup>
- Weight	5,623 kg/m
- Length	6 m
- Packing unit	12 m

## APPLICATIONS

- Grooves can be teared off
- General engineering structures, particularly for use in the food industry, in medical engineering and for the filling of beverages, where strict hygienic standards are set
- The central cavity is constructed for guiding counterweights

## ASSEMBLY

- MiniTec power-lock fastener
- 4 closed grooves can be opened up to the desired length, by means of the tear-off lever **Part N° 26.0815/0**