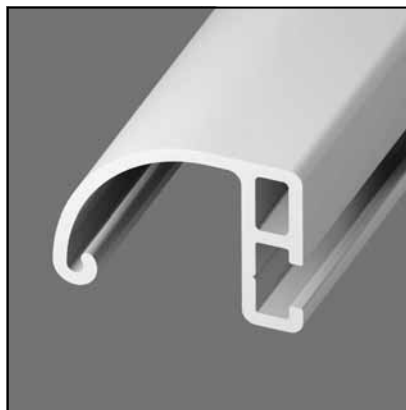
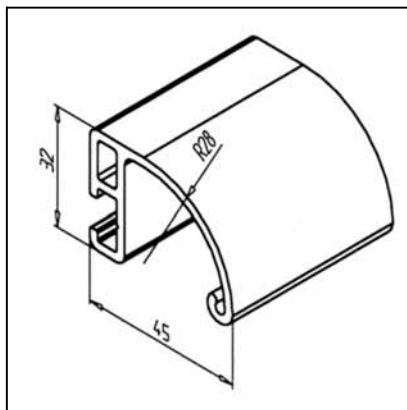


HANDLE PROFILE

Part. N° 20.1045/0



TECHN. DATA / ITEMS SUPPLIED

- lx =	3,531 cm ⁴
- ly =	7,654 cm ⁴
- wx =	1,985 cm ³
- wy =	2,856 cm ³
- Weight	0,890 kg/m
- Length	6 m
- Packing unit	60 m

APPLICATIONS

- Handles of different lengths
- Edges
- Table edges
- Cover ledge for cable, pneumatic conducts

ASSEMBLY

- Screw connection
- Mounting angle
- Lateral cover with end caps left
Part N° 22.1055/0 and right
Part N° 22.1054/0