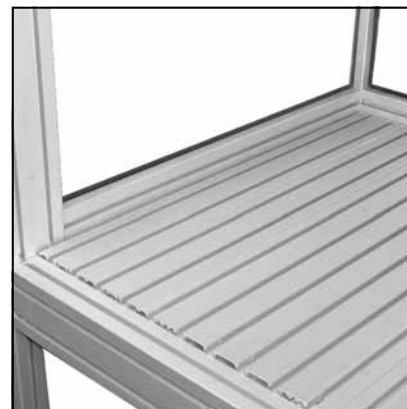
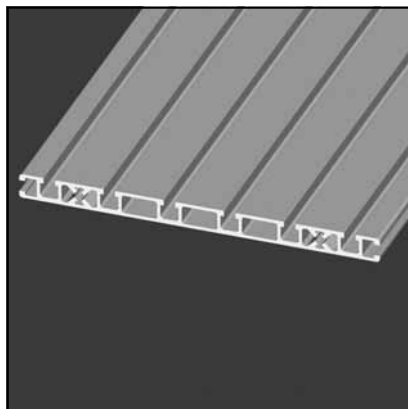
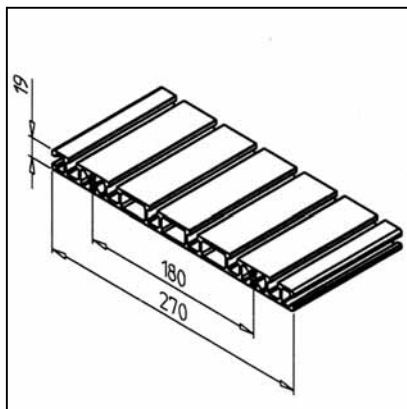


PROFILE 270 X 19

Part. N° 20.1077/0



TECHN. DATA / ITEMS SUPPLIED

- lx =	10,348 cm ⁴
- ly =	1352,197 cm ⁴
- wx =	10,167 cm ³
- wy =	100,162 cm ³
- Weight	5,612 kg/m
- Length	6 m
- Packing unit	18 m

APPLICATIONS

- Table tops
- Workstations
- Didactic installations i.e. pneumatic, electronics, automatic-control
- Demonstration units

ASSEMBLY

- MiniTec power-lock fastener
- Screw connection
- Bolt-fastener 15