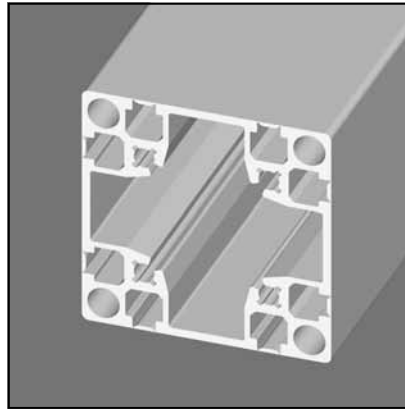
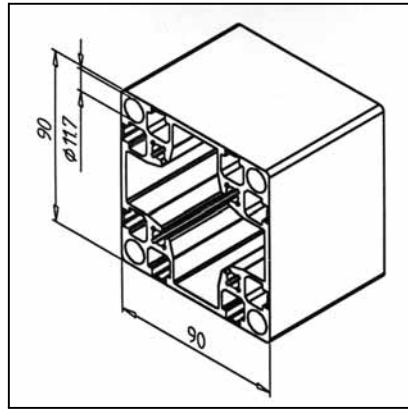


PROFILE 90 X 90 G



Part. N° 20.1082/0



TECHN. DATA / ITEMS SUPPLIED

- lx =	195,271 cm ⁴
- ly =	195,271 cm ⁴
- wx =	43,393 cm ³
- wy =	43,393 cm ³
- Weight	5,329 kg/m
- Length	6 m
- Packing unit	12 m

APPLICATIONS

- Grooves can be teared off
- General engineering structures, particularly for use in the food industry, in medical engineering and for the filling of beverages, where strict hygienic standards are set
- The central cavity is constructed for guiding counterweights

ASSEMBLY

- MiniTec power-lock fastener
- 8 closed grooves can be opened up to the desired length, by means of the tear-off lever **Part N° 26.0815/0**