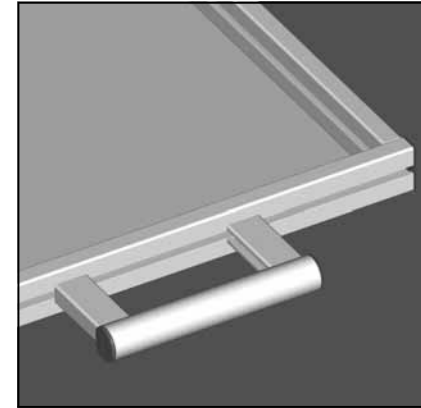
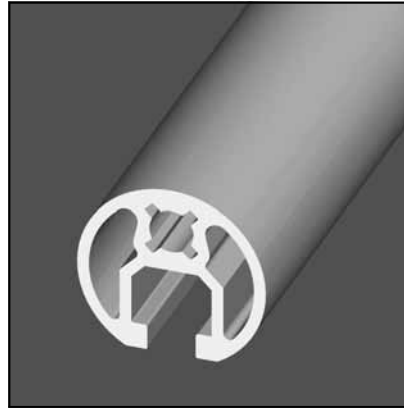
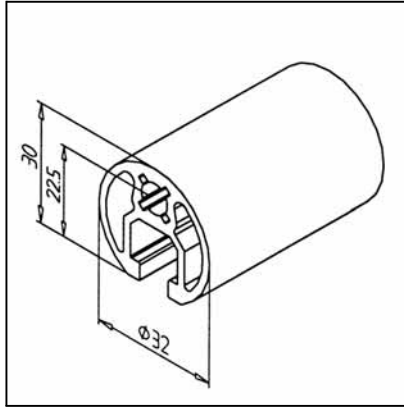


HANDLE PROFILE 32

Part. N° 20.1088/0



TECHN. DATA / ITEMS SUPPLIED

- lx =	2,601 cm ⁴
- ly =	2,636 cm ⁴
- wx =	1,682 cm ⁴
- wy =	1,649 cm ⁴
- Weight	0,911 kg
- Length	6 m
- Packing unit	84 m

APPLICATIONS

- Handles of different lengths for doors, drawer, handrails
- Edging of panel elements or posters up to 8 mm
- Horizontal profile for fixing of small roller conveyors

ASSEMBLY

- MiniTec power lock fastener
- Angle 19
- Bolt fastener
- Screw connection
- Lateral cover with end cap for handle profile 32