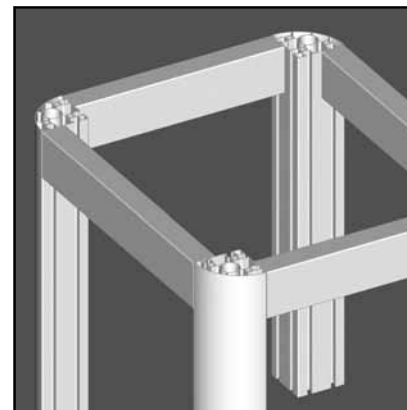
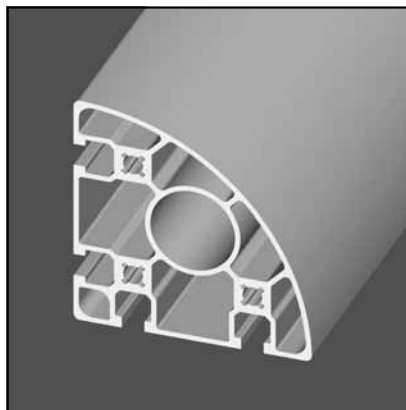
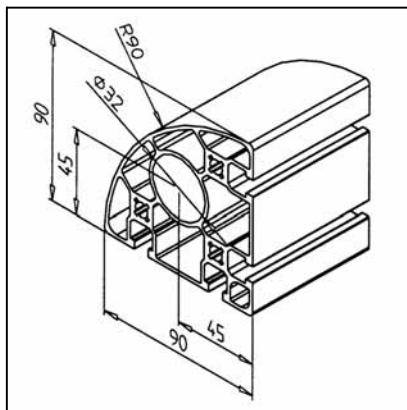


PROFILE 90 R 90°

Part. N° 20.1091/0



TECHN. DATA / ITEMS SUPPLIED

- lx =	113,389 cm ⁴
- ly =	113,389 cm ⁴
- wx =	21,874 cm ³
- wy =	21,874 cm ³
- Weight	4,265 kg/m
- Length	6 m
- Packing unit	12 m

APPLICATIONS

- Assembly
- General constructions

ASSEMBLY

- MiniTec power-lock fastener
- Angle
- Cross bolt fastener
- Bolt fastener
- End cap, Part. N° 22.1021/1
- Base and transport plate M10 - M20