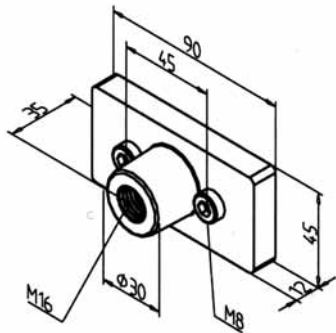


BASE AND TRANSPORT PLATE 45 X 90 GD

Items supplied

- Aluminium, powder-coated, grey
- With fixing kit



Applications

- Mounting of adjustable feet or add-on pieces on profile face with thread M16 for profile 90 x 45

Assembly

- Connection with fixing kit from supply schedule on profile face

Thread	Thickness	Weight	Part no.
M16	15 mm	0.135 kg	21.1136/0